

Hoshizaki America, Inc.

Modular Crescent Cuber

Models

KM-90 IMAH

KM-90 IMWH

KM-90 IMRH/3



“A Superior Degree
of Reliability”

www.hoshizaki.com

PARTS LIST



Number: 71277
Issued: 7-23-2008
Revised: 10-1-2009

CONTENTS

Auxiliary Codes.....	3
Note About Ordering Parts	3
Material Abbreviations	4
A. Ice Cuber Assembly	5
KM-901MAH	5
KM-901MWH.....	8
KM-901MRH, KM-901MRH3.....	11
B. Refrigeration Circuit	14
KM-901MAH.....	14
KM-901MWH.....	18
KM-901MRH, KM-901MRH3.....	22
C. Water Circuit	26
D. Control Box Assembly.....	29
KM-901MAH, KM-901MWH, KM-901MRH	29
KM-901MRH3	31
E. Label Location.....	33
KM-901MAH.....	33
KM-901MWH.....	35
KM-901MRH, KM-901MRH3.....	37
F. Front Panel Assembly	39
G. Top Panel Assembly	41
H. Transformer Box Assembly.....	42
KM-901MRH3	42
J. Pump Motor Assembly.....	43
K. Accessories & Packaging.....	44

Auxiliary Codes

KM-901MAH	T-0	February 2008
	U-0	January 2009
	U-1	February 2009
	U-2	May 2009
	U-3	August 2009

KM-901MWH	T-0	February 2008
	U-0	January 2009
	U-1	February 2009
	U-2	May 2009
	U-3	August 2009

KM-901MRH	T-0	February 2008
	U-0	January 2009
	U-1	February 2009
	U-2	May 2009
	U-3	August 2009

KM-901MRH3	T-0	February 2008
	U-0	January 2009
	U-1	February 2009
	U-2	May 2009
	U-3	August 2009

Auxiliary Code Breakdown

The auxiliary code is the first two characters in the serial number. The first character indicates the year. Years progress or regress in alphabetical order. The series runs from "A" through "V" and the letters "I" and "O" are skipped. The second character indicates significant part changes within a year. Base is "0" and this number advances for each change.

Note About Ordering Parts

Most assemblies cannot be ordered as complete units; parts in the assemblies generally must be ordered separately.

Material Abbreviations

ALUMINUM

AL = Aluminum

COPPER

CU = Copper

PLASTIC

ABS = Acrylonitrile-butadiene-styrene
AC = Polyacetal
EVA = Ethylene vinyl acetate
PA = Polyamide = Nylon
PC = Polycarbonate
PE = Polyethylene
PES = Polyester
PETP = Polyethylene terephthalate = Tetlon
PP = Polypropylene
PS = Polystyrene
PTFE = Polytetrafluoroethylene = Teflon
PUR = Polyurethane
PVC = Polyvinyl chloride

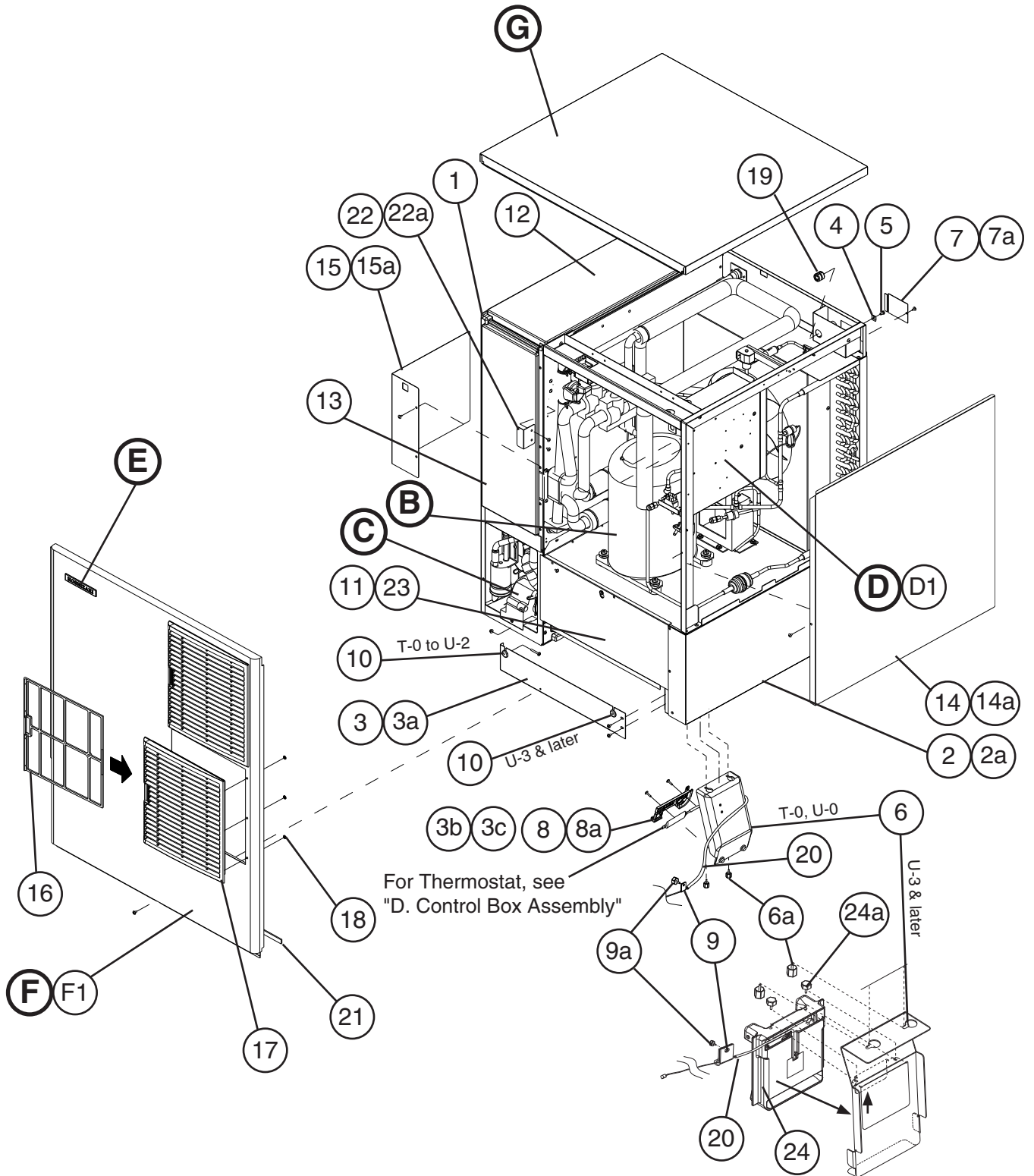
RUBBER

VN = Vinyl Nitrile
EPDM = EP rubber
NBR = Nitrile butadiene rubber
NR = Natural rubber
NP = Neoprene
SI.R = Silicone rubber
SY.R = Synthetic rubber
EPH = Epichlorohydrin

STEEL

GS = Galvanized steel
SS = Stainless steel
PS = Plated steel
PAS = Primed steel

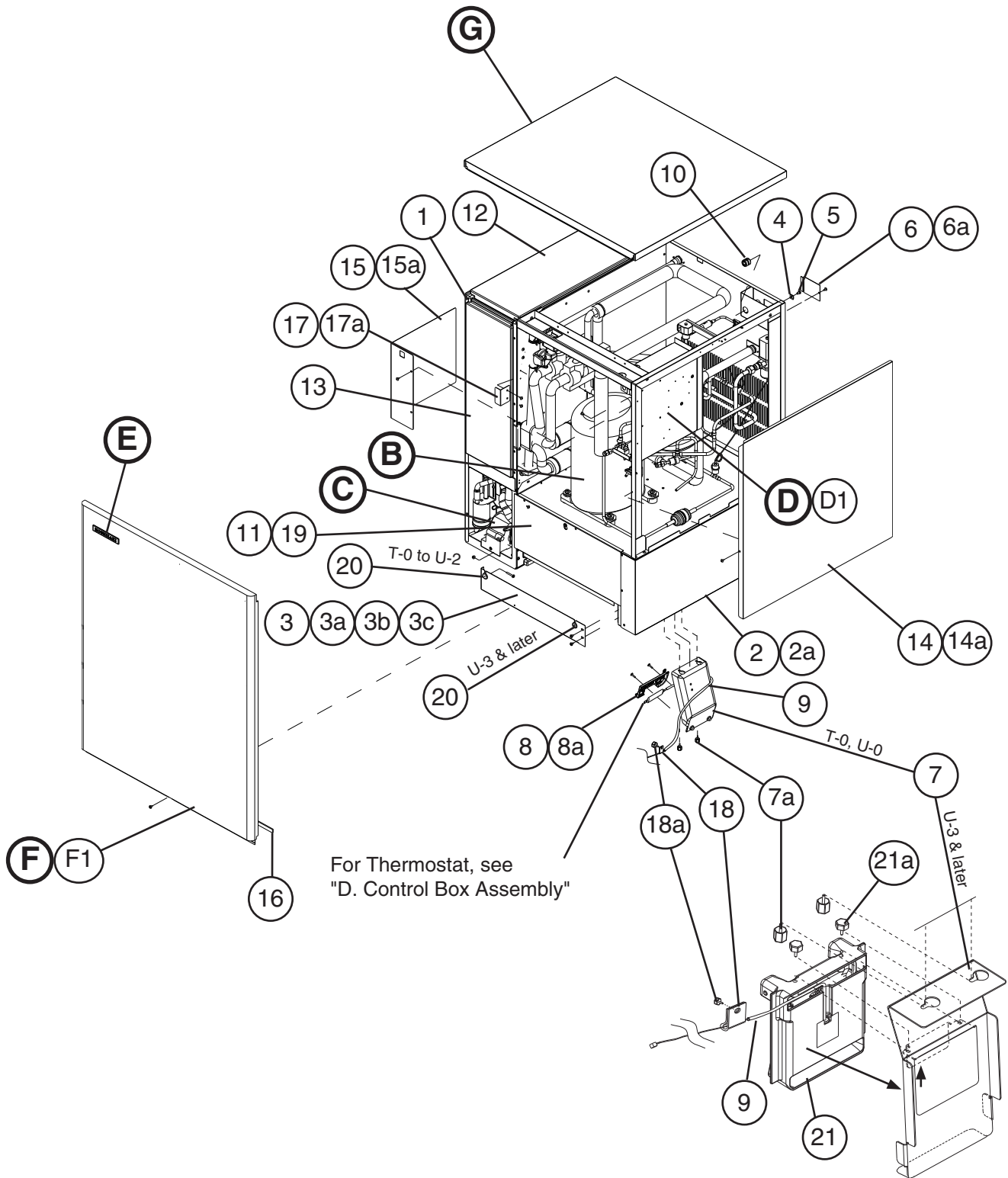
A. Ice Cuber Assembly
KM-901MAH
 T-0 to U-3



Title: A. Ice Cuber Assembly Model: KM-901MAH												
Index No.	Description	Material or Model Number	Part Number	Required Number								
				T-0 U-0	U-1	U-2	U-3					
B	Refrigeration Circuit	-	1A1260A01	1	1	-						
			1A1761A02			1	1					
C	Water Circuit	-	1A0283A09	1	1	1	1					
D	Control Box Assembly	-	2A4026A01	1	-							
			2A4026A03		1	1	1					
D1	T2 Screw	4x8	7P31-0408	3	3	3	3					
E	Label Location	-	3A4227A01	1	-							
			3A5214A01		1	1	-					
			3A5556A01					1				
F	Front Panel Assembly	SS	2A3986G01	1	1	1	1					
F1	Truss Head Screw	4x8, SS	7C32-0408	1	1	1	1					
G	Top Panel Assembly	SS	3A4185G01	1	1	1	1					
1	Evaporator Case	-	1A0579G07	1	1	1	1					
2	Base (includes item 6a)	-	1A0651G06	1	1	1	1					
2a	FT Screw	4x8	7F31-0408	7	7	7	7					
3	Front Frame	-	322617-01	1	1	1	-					
			3A5569-01					1				
3a	Truss Head Screw	4x8, SS	7C32-0408	2	2	2	2					
3b	Truss Head Screw	4x30, SS	7C32-0430	2	2	2	2					
3c	Hex Flange Nut	4, SS	7J02-0400	2	2	2	2					
4	Square Washer	BRASS	433537-02	1	1	1	1					
5	Screw-Grounding	BRASS	433304-02	1	1	1	1					
6	Bulb Holder (C)	-	3A0218G01	1	-							
	Bin Control Switch Mount	-	3A5210-01		1	1	1					
6a	Thumbscrew	SS, ABS	415949G12	2	2	2	2					
7	Junction Box Cover	-	433410-01	1	1	1	1					
7a	T2 Screw	4x8	7P31-0408	1	1	1	1					
8	Bulb Holder	-	3A3903-01	1	-							
8a	T2 Screw	4x16, SS	7P32-0416	2	-							
9	Strap	-	435487-01	1	1	1	1					
9a	Thumbscrew	SS, ABS	415949G10	1	1	1	1					
10	Capillary Ring	-	425307-01	1	1	1	-					
			425307-02					1				
11	Base Cover	-	322618G02	1	1	1	1					
12	Top Insulation	PP	215730G01	1	1	1	1					
13	Front Insulation	PP	215731G02	1	1	1	1					
14	Side Panel (R)	SS	2A2117G02	1	1	1	1					
14a	T2 Screw	4x8, SS	7P32-0408	1	1	1	1					
15	Control Box Cover	GS	3A2386-01	1	1	1	1					
15a	T2 Screw	4x8	7P31-0408	2	2	2	2					
16	Air Filter (A)	ABS	2A2062G01	2	2	2	2					
17	Louver (A)	ABS	1A0547-01	2	2	2	2					
18	Push Retainer	-	4A2414-01	6	6	6	6					
19	Bushing	SR-34-2	420472-05	1	1	1	1					
20	Silicone Hose	L=390	7730I3812	1	-							
		L=325	7730-1114		1	1	1					
21	Gasket	L=762	4A0808L02	1	1	1	1					

Title: A. Ice Cuber Assembly Model: KM-901MAH											
Index No.	Description	Material or Model Number	Part Number	Required Number							
				T-0 U-0	U-1	U-2	U-3				
22	Barrier-Insulation	GS	4A1167-01	1	1	1	1				
22a	T2 Screw	4x8	7P31-0408	2	2	2	2				
23	Foam Seal	-	8208-0005	1	1	1	1				
24	Bin Control	-	2A4393G01		1	1	1				
24a	Thumbscrew	SS, ABS	415949G10		2	2	2				

A. Ice Cuber Assembly
KM-901MWH
 T-0 to U-3

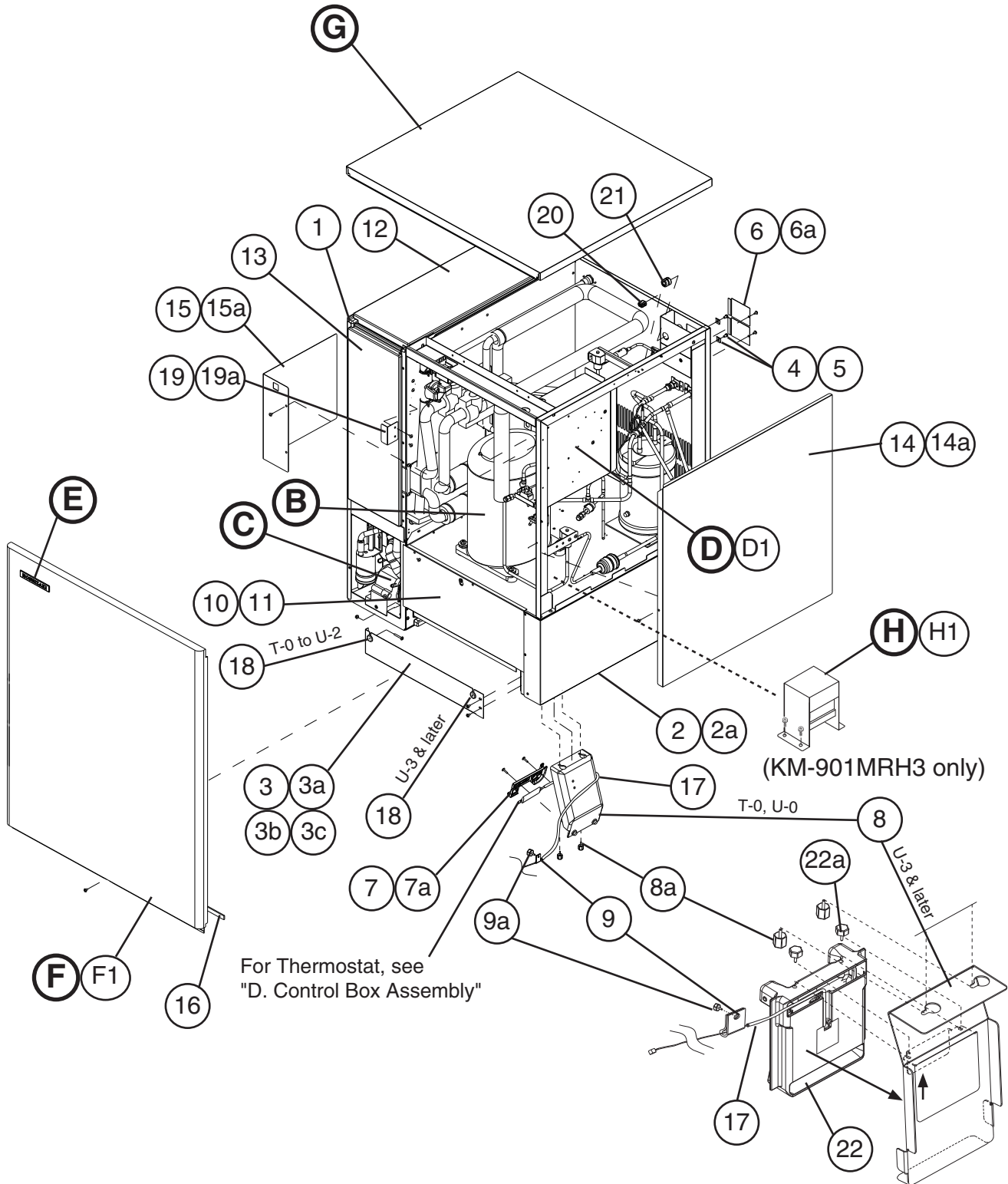


Title: **A. Ice Cuber Assembly** Model: **KM-901MWH**

Index No.	Description	Material or Model Number	Part Number	Required Number									
				T-0 U-0	U-1	U-2	U-3						
B	Refrigeration Circuit	-	1A1262A01	1	1	-							
			1A1763A02			1	1						
C	Water Circuit	-	1A0283A09	1	1	1	1						
D	Control Box Assembly	-	2A4026A02	1	-								
			2A4026A04		1	1	1						
D1	T2 Screw	4x8	7P31-0408	3	3	3	3						
E	Label Location	-	3A4228A01	1	-								
			3A5224A01		1	1	-						
			3A5557A01				1						
F	Front Panel Assembly	SS	2A2252G01	1	1	1	1						
F1	Truss Head Screw	4x8, SS	7C32-0408	1	1	1	1						
G	Top Panel Assembly	SS	3A1862A01	1	1	1	1						
1	Evaporator Case	-	1A0579G07	1	1	1	1						
2	Base (includes item 7a)	-	1A0651G05	1	1	1	1						
2a	FT Screw	4x8	7F31-0408	7	7	7	7						
3	Front Frame	-	322617-01	1	1	1	-						
			3A5569-01				1						
3a	Truss Head Screw	4x8, SS	7C32-0408	2	2	2	2						
3b	Truss Head Screw	4x30, SS	7C32-0430	2	2	2	2						
3c	Hex Flange Nut	4, SS	7J02-0400	2	2	2	2						
4	Square Washer	BRASS	433537-02	1	1	1	1						
5	Screw-Grounding	BRASS	433304-02	1	1	1	1						
6	Junction Box Cover	-	433410-01	1	1	1	1						
6a	T2 Screw	4x8	7P31-0408	1	1	1	1						
7	Bulb Holder (C)	-	3A0218G01	1	-								
	Bin Control Switch Mount	-	3A5210-01		1	1	1						
7a	Thumbscrew	SS, ABS	415949G12	2	2	2	2						
8	Bulb Holder	-	3A3903-01	1	-								
8a	T2 Screw	4x16, SS	7P32-0416	2	-								
9	Silicone Hose	L=390	773013812	1	-								
		L=325	7730-1114		1	1	1						
10	Bushing	SR-34-2	420472-05	1	1	1	1						
11	Base Cover	SS	322618G02	1	1	1	1						
12	Top Insulation	PP	215730G01	1	1	1	1						
13	Front Insulation	PP	215731G02	1	1	1	1						
14	Side Panel (R)	SS	2A2117G02	1	1	1	1						
14a	T2 Screw	4x8, SS	7P32-0408	1	1	1	1						
15	Control Box Cover	GS	3A2386-01	1	1	1	1						
15a	T2 Screw	4x8	7P31-0408	2	2	2	2						
16	Gasket	L=762	4A0808L02	1	1	1	1						
17	Barrier-Insulation	GS	4A1167-01	1	1	1	1						
17a	T2 Screw	4x8	7P31-0408	2	2	2	2						
18	Strap	-	435487-01	1	1	1	1						
18a	Thumbscrew	SS, ABS	415949G10	1	1	1	1						
19	Foam Seal	-	8208-0005	1	1	1	1						
20	Capillary Ring	-	425307-01	1	1	1	-						
			425307-02				1						

Title: A. Ice Cuber Assembly Model: KM-901MWH											
Index No.	Description	Material or Model Number	Part Number	Required Number							
				T-0 U-0	U-1	U-2	U-3				
21	Bin Control	-	2A4393G01		1	1	1				
21a	Thumbscrew	SS, ABS	415949G10		2	2	2				

A. Ice Cuber Assembly
KM-901MRH, KM-901MRH3
 T-0 to U-3



Title: A. Ice Cuber Assembly Model: KM-901MRH, KM-901MRH3												
Index No.	Description	Material or Model Number	Part Number	Required Number								
				T-0	U-0	U-1	U-2	U-3				
B	Refrigeration Circuit	KM-901MRH	1A1264A01	1	1	-						
			1A1773A03			1	1					
		KM-901MRH3	1A1264A02	1	1	-						
			1A1773A04			1	1					
C	Water Circuit	-	1A0283A09	1	1	1	1					
D	Control Box Assembly	KM-901MRH	2A4026A02	1	-							
			2A4026A04		1	1	1					
		KM-901MRH3	2A2555A01	1	-							
			2A2555A02		1	1	1					
D1	T2 Screw	4x8	7P31-0408	3	3	3	3					
E	Label Location	KM-901MRH	3A4229A01	1	-							
			3A5228A01		1	1	-					
			3A5558A01				1					
		KM-901MRH3	3A4230A01	1	-							
			3A5231A01		1	1	-					
			3A5559A01				1					
F	Front Panel Assembly	SS	2A2252G01	1	1	1	1					
F1	Truss Head Screw	4x8, SS	7C32-0408	1	1	1	1					
G	Top Panel Assembly	SS	3A1862A01	1	1	1	1					
H	Transformer Box Assembly	KM-901MRH3	3A1102A01	1	1	1	1					
H1	Hex Head Bolt w/Washer (LF)	KM-901MRH3 5x10	7B0130510	4	4	4	4					
1	Evaporator Case	-	1A0579G07	1	1	1	1					
2	Base (includes item 8a)	KM-901MRH	1A0651G03	1	1	1	1					
		KM-901MRH3	1A0651G04	1	1	1	1					
2a	FT Screw	4x8	7F31-0408	7	7	7	7					
3	Front Frame	-	322617-01	1	1	1	-					
			3A5569-01				1					
3a	Truss Head Screw	4x8, SS	7C32-0408	2	2	2	2					
3b	Truss Head Screw	4x30, SS	7C32-0430	2	2	2	2					
3c	Hex Flange Nut	4, SS	7J02-0400	2	2	2	2					
4	Square Washer	BRASS	433537-02	2	2	2	2					
5	Screw-Grounding	BRASS	433304-02	2	2	2	2					
6	Junction Box Cover	-	433410-01	2	2	2	2					
6a	T2 Screw	4x8	7P31-0408	2	2	2	2					
7	Bulb Holder	-	3A3903-01	1	-							
7a	T2 Screw	4x16, SS	7P32-0416	2	-							
8	Bulb Holder (C)	-	3A0218G01	1	-							
	Bin Control Switch Mount	-	3A5210-01		1	1	1					
8a	Thumbscrew	SS, ABS	415949G12	2	2	2	2					
9	Strap	-	435487-01	1	1	1	1					
9a	Thumbscrew	-	415949G10	1	1	1	1					
10	Foam Seal	-	8208-0005	1	1	1	1					
11	Base Cover	SS	322618G02	1	1	1	1					
12	Top Insulation	PP	215730G01	1	1	1	1					
13	Front Insulation	PP	215731G02	1	1	1	1					
14	Side Panel (R)	SS	2A2117G02	1	1	1	1					
14a	T2 Screw	4x8, SS	7P32-0408	1	1	1	1					

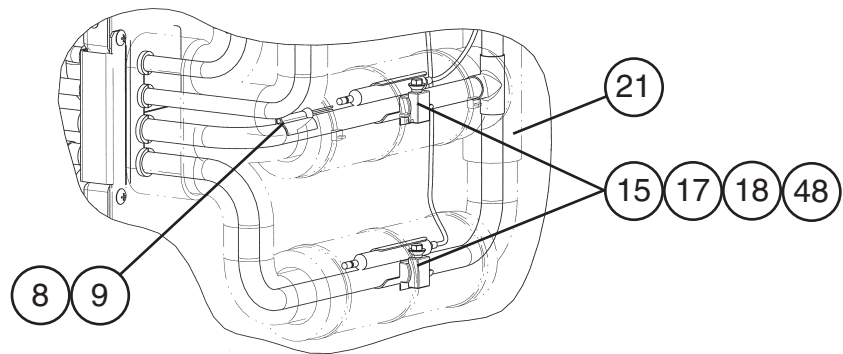
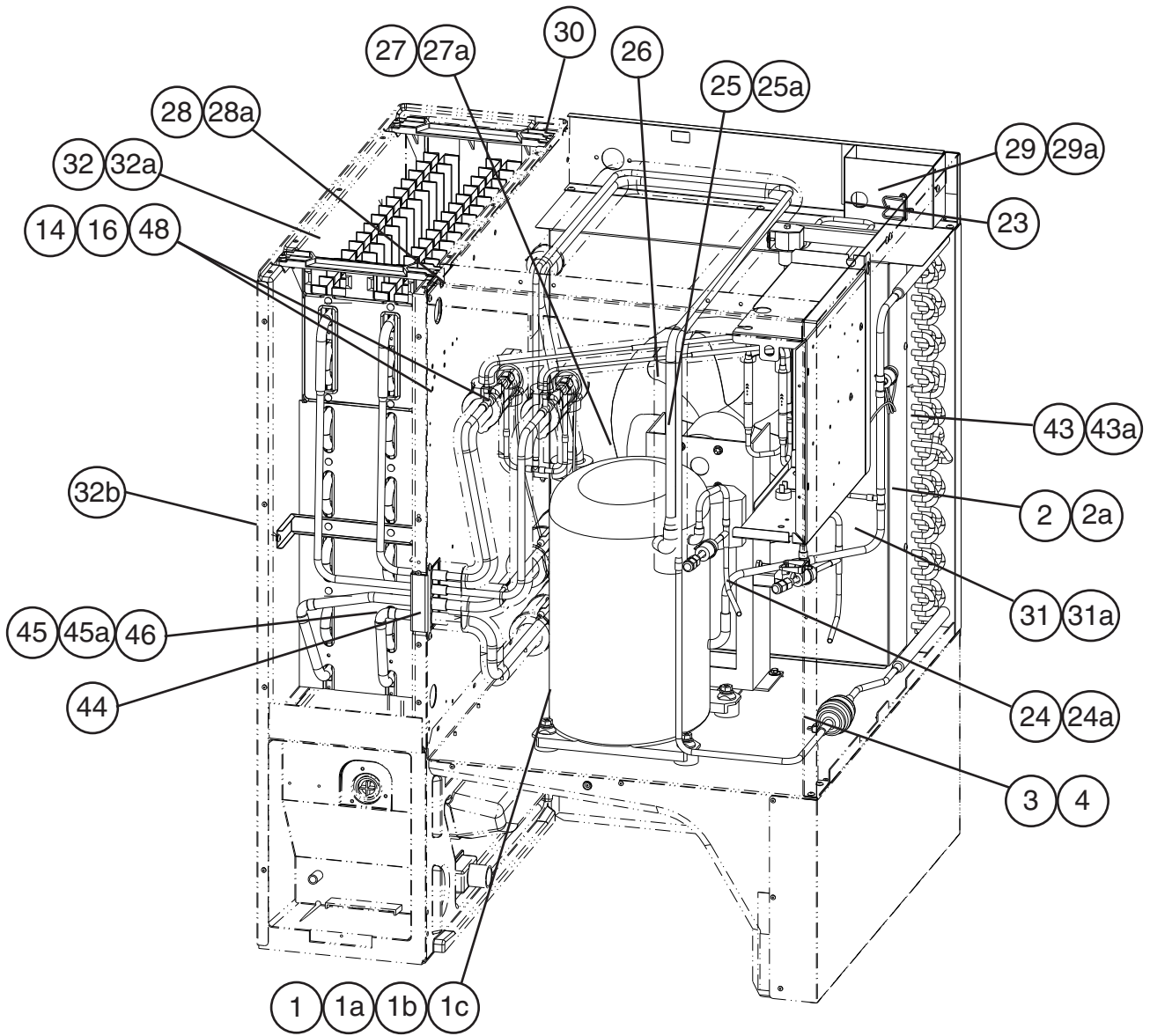
Title: A. Ice Cuber Assembly Model: KM-901MRH, KM-901MRH3												
Index No.	Description	Material or Model Number	Part Number	Required Number								
				T-0	U-0	U-1	U-2	U-3				
15	Control Box Cover	-	3A2386-01	1	1	1	1					
15a	T2 Screw	4x8	7P31-0408	2	2	2	2					
16	Gasket	L=762	4A0808L02	1	1	1	1					
17	Silicone Hose	L=390	773013812	1	1	1	1					
		L=325	7730-1114		1	1	1					
18	Capillary Ring	-	425307-01	1	1	1	-					
			425307-02				1					
19	Barrier-Insulation	GS	4A1167-01	1	1	1	1					
19a	T2 Screw	4x8	7P31-0408	2	2	2	2					
20	Bushing	SR-30-1	420472-03	1	1	1	1					
21	Bushing	SR-34-2	420472-05	1	1	1	1					
22	Bin Control	-	2A4393G01		1	1	1					
22a	Thumbscrew	SS, ABS	415949G10		2	2	2					

B. Refrigeration Circuit

1/2

KM-901MAH

T-0 to U-3

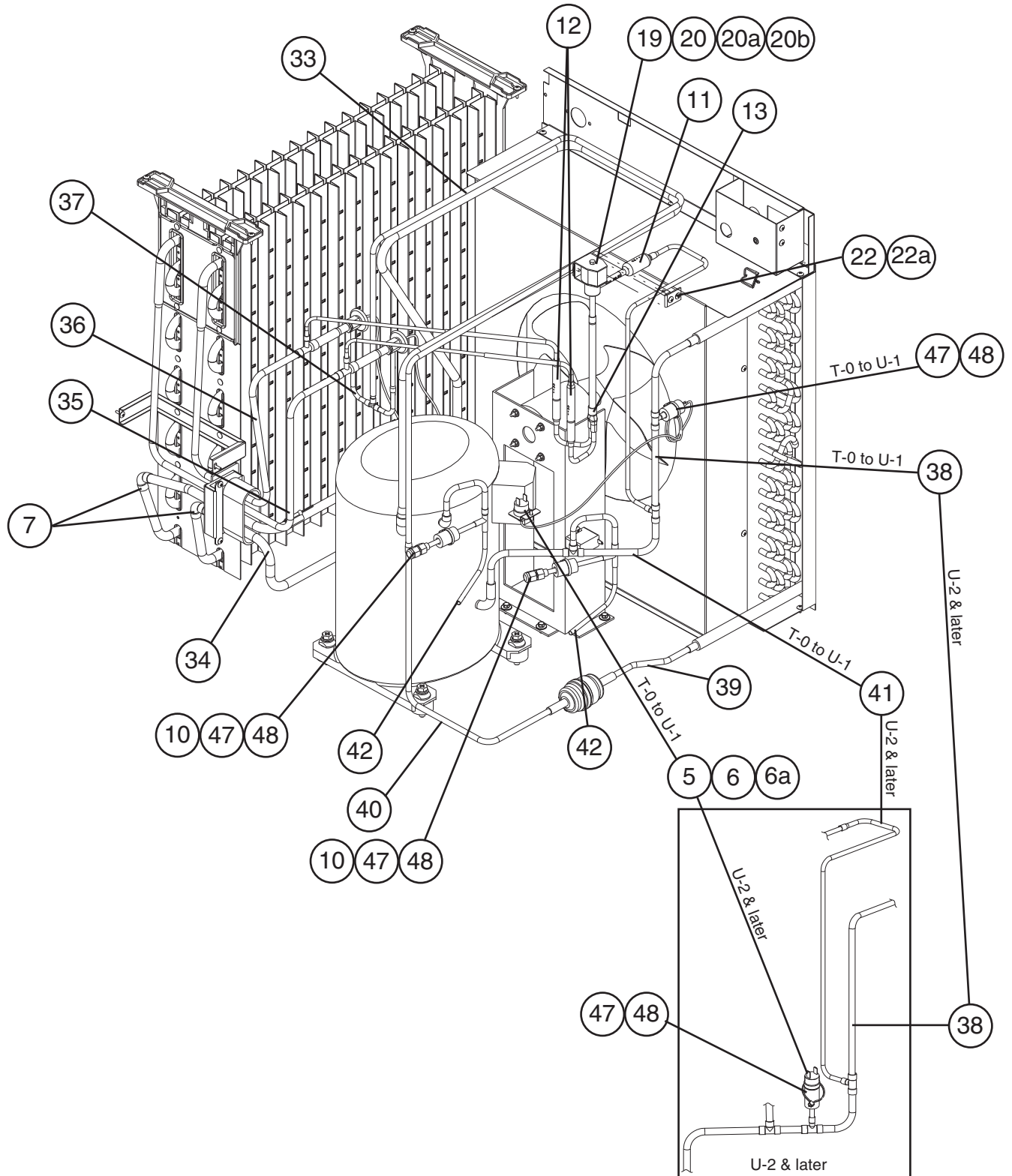


B. Refrigeration Circuit

2/2

KM-901MAH

T-0 to U-3



Title: B. Refrigeration Circuit Model: KM-901MAH											
Index No.	Description	Material or Model Number	Part Number	Required Number							
				T-0 to U-1	U-2 U-3						
1	Compressor	CS12K6E-PFV-237	4A4134-01	1	1						
1a	Spacer	-	434921-01	4	4						
1b	Grommet	-	434922-01	4	4						
1c	Bolt	8x45	437889-01	4	4						
2	Condenser	-	1A1259-01	1	1						
2a	T2 Screw	4x8	7P31-0408	7	7						
3	Drier	-	4A2666-01	1	1						
4	Nylon Tie	-	8911-0301	1	1						
5	Pressure Switch	-	433441-07	1	-						
			463180-04		1						
6	Pressure Switch Bracket	GS	434938-01	1	-						
6a	T2 Screw	4x8	7P31-0408	1	-						
7	Elbow	-	417395-03	2	2						
8	Thermistor	L=1050	429006-03	1	1						
9	Holder-Thermistor	-	427430-01	1	1						
10	Access Valve	-	457729-01	2	2						
11	Strainer	-	441569-02	1	1						
12	Check Valve	-	4A1373-01	2	2						
13	Check Valve Assembly	-	3A2718G02	1	1						
14	Expansion Valve	-	4A4008-01	2	2						
15	Holder-Expansion Valve	-	3A0107-01	2	2						
16	Expansion Valve Cover	-	3A0944-01	2	2						
17	Clamp	-	443461-02	2	2						
18	Insulation Tube	L=170	7762-3555	2	2						
19	Valve Body-Hot Gas	-	4A3978-01	1	1						
20	Coil-Valve	-	4A3277-01	1	1						
20a	Bolt	-	4A3277F01	1	1						
20b	Truss Head Screw	4x8	7C32-0408	2	2						
21	Connection Tee Cover	-	4A1379-01	1	1						
22	Hot Gas Valve Bracket	GS	434916-02	1	1						
22a	T2 Screw	4x8	7P31-0408	2	2						
23	Clamp	-	4A2338-01	2	2						
24	Capacitor-Fan Motor	5.0MFD, 250V	443192-02	1	1						
24a	T2 Screw	4x10	7P31-0410	1	1						
25	Fan Motor	50 Watt-GEHI	4A3158-01	1	1						
25a	Self-Locking Nut	-	7N21I0832	4	4						
26	Fan Blade	-	4A4144-01	1	1						
27	Fan Motor Bracket	-	3A4152-01	1	1						
27a	Hex Bolt Assembly	5x12	7B0130512	4	4						
28	Top Frame (A)	GS	325938-01	1	1						
28a	T2 Screw	4x8, SS	7P32-0408	2	2						
29	Side Frame	GS	2A1379G03	1	1						
29a	T2 Screw	4x8	7P31-0408	6	6						
30	Rear Panel	GS	322626G07	1	1						
31	Shroud	-	2A3951-01	1	1						
31a	T2 Screw	4x8	7P31-0408	4	4						

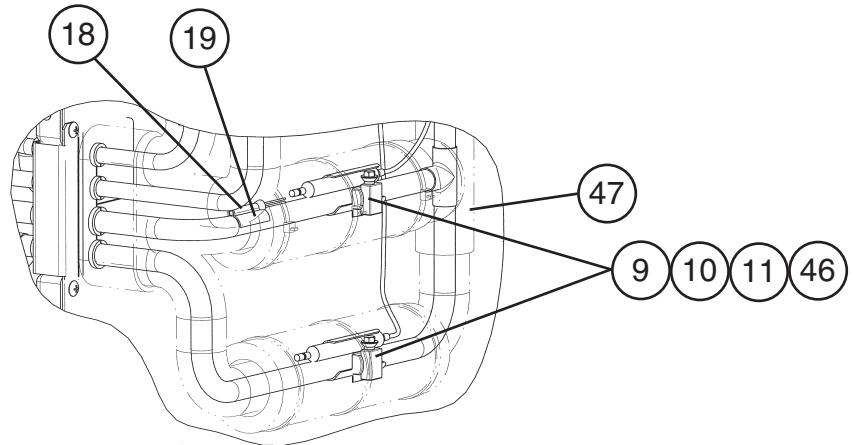
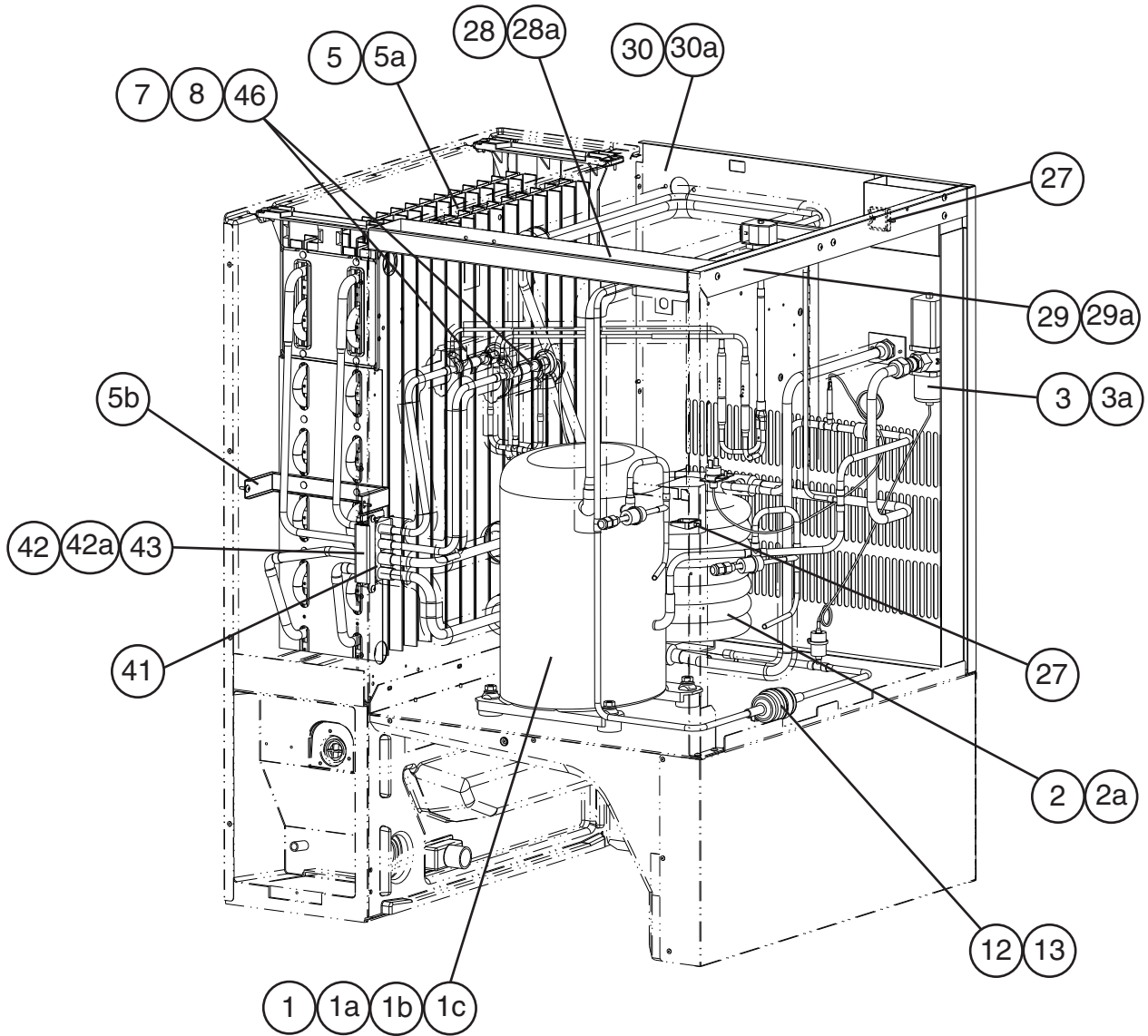
Title: B. Refrigeration Circuit Model: KM-901MAH											
Index No.	Description	Material or Model Number	Part Number	Required Number							
				T-0 to U-1	U-2 U-3						
32	Evaporator	-	106396G02	1	1						
32a	T2 Screw	4x16, SS	7P32-0416	4	4						
32b	T2 Screw	4x12, SS	7P32-0412	2	2						
33	Heat Exchanger	-	1A1252G01	1	1						
34	Copper Tube (A)-Low Side	-	2A3953G01	1	1						
35	Copper Tube (B)-Low Side	-	2A3960G01	1	1						
36	Copper Tube (C)-Low Side	-	2A3961G01	1	1						
37	Copper Tube (A)-High Side	-	3A4153G01	1	1						
38	Copper Tube (C)-High Side		3A4157G01	1	-						
			3A5268-01		1						
39	Copper Tube (D)-High Side	-	4A4131-01	1	1						
40	Copper Tube (E)-High Side	-	2A3959-01	1	1						
41	Copper Tube (F)-High Side		2A3966G01	1	-						
			2A4997G01		1						
42	Copper Tube-Access Valve	-	3A4155G01	2	2						
43	Barrier	GS	434937-01	1	1						
43a	T2 Screw	4x8	7P31-0408	4	4						
44	Insulation	-	436671-01	1	1						
45	Insulation Holder	SS	4A4126-01	1	1						
45a	T2 Screw	4x8, SS	7P32-0408	2	2						
46	Insulated Rubber Tube	-	3A4151G01	1	1						
47	Insulation Tube	L=30	7762-1020	3	3						
48	Cable Tie	CV-200	8911-0200	15	15						

B. Refrigeration Circuit

1/2

KM-901MWH

T-0 to U-3

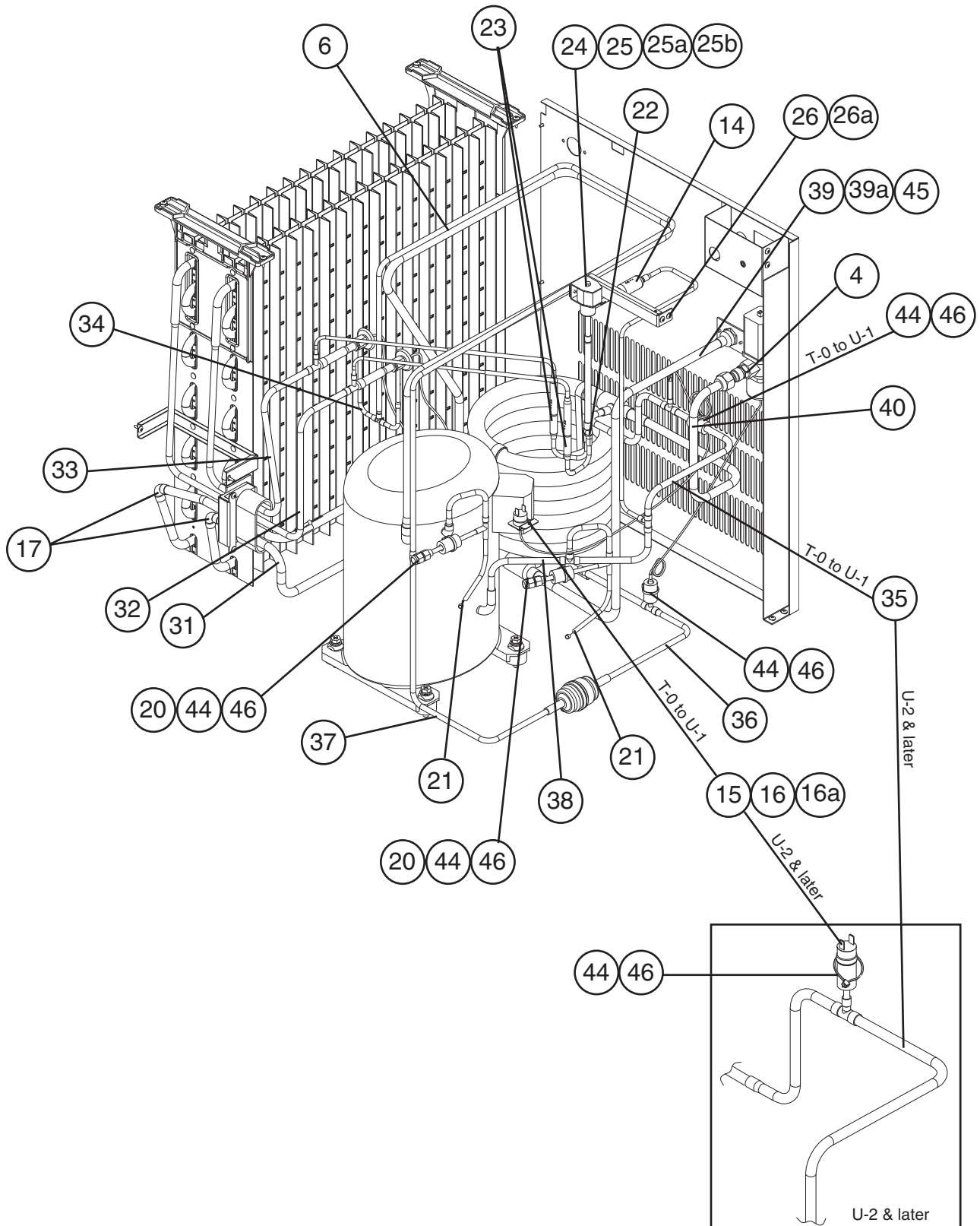


B. Refrigeration Circuit

2/2

KM-901MWH

T-0 to U-3

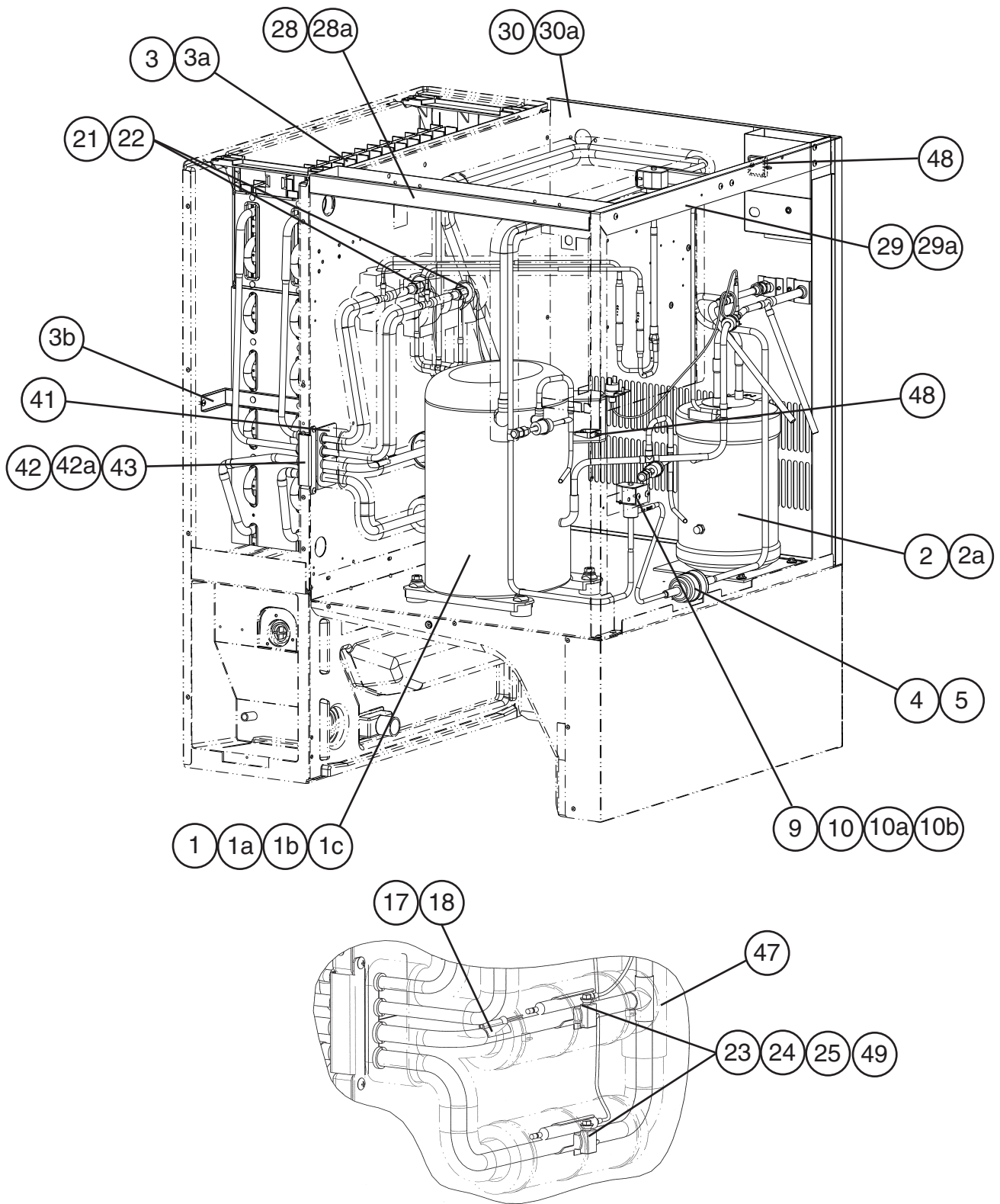


Title: **B. Refrigeration Circuit** Model: **KM-901MWH**

Index No.	Description	Material or Model Number	Part Number	Required Number									
				T-0 to U-1	U-2 U-3								
1	Compressor	CS12K6E-PFV-237	4A4134-01	1	1								
1a	Spacer	-	434921-01	4	4								
1b	Grommet	-	434922-01	4	4								
1c	Bolt	8x45	437889-01	4	4								
2	Condenser-Water-Cooled	HS-0162	2A2359G03	1	1								
2a	Hex Head Bolt w/Washer	5x12	7B0130512	2	2								
3	Water Regulator	-	4A0911-07	1	1								
3a	Truss Head Screw	4x6	7C31-0406	2	2								
4	Male Connector	-	4A1087-01	1	1								
5	Evaporator	-	106396G02	1	1								
5a	T2 Screw	4x16, SS	7P32-0416	4	4								
5b	T2 Screw	4x12, SS	7P32-0412	2	2								
6	Heat Exchanger	-	1A1252G01	1	1								
7	Expansion Valve	-	4A4008-01	2	2								
8	Expansion Valve Cover	-	3A0944-01	2	2								
9	Holder-Expansion Valve	-	3A0107-01	2	2								
10	Clamp	-	443461-02	2	2								
11	Insulation Tube	L=170	7762-3555	2	2								
12	Drier	-	4A2666-01	1	1								
13	Nylon Tie	-	8911-0301	1	1								
14	Strainer	-	441569-02	1	1								
15	Pressure Switch	-	433441-05	1	-								
			463180-05		1								
16	Pressure Switch Bracket	GS	434938-01	1	-								
16a	T2 Screw	4x8	7P31-0408	1	-								
17	Elbow	-	417395-03	2	2								
18	Thermistor	L=1050	429006-03	1	1								
19	Thermistor Holder	-	427430-01	1	1								
20	Access Valve	-	457729-01	2	2								
21	Copper Tube-Access Valve	-	3A4155G01	2	2								
22	Check Valve Assembly	-	3A2718G02	1	1								
23	Check Valve	-	4A1373-01	2	2								
24	Valve Body-Hot Gas	-	4A3978-01	1	1								
25	Coil-Valve	-	4A3277-01	1	1								
25a	Bolt	-	4A3277F01	1	1								
25b	Truss Head Screw	4x8	7C31-0408	2	2								
26	Hot Gas Valve Bracket	-	434916-02	1	1								
26a	T2 Screw	4x8	7P31-0408	2	2								
27	Clamp	-	4A2338-01	2	2								
28	Top Frame (A)	GS	325938-01	1	1								
28a	T2 Screw	4x8, SS	7P32-0408	2	2								
29	Side Frame	GS	2A1379G03	1	1								
29a	T2 Screw	4x8	7P31-0408	6	6								
30	Rear Panel	GS	2A1360G01	1	1								
30a	T2 Screw	4x8	7P31-0408	5	5								
31	Copper Tube (A)-Low Side	-	2A3953G01	1	1								
32	Copper Tube (B)-Low Side	-	2A3960G01	1	1								

Title: B. Refrigeration Circuit Model: KM-901MWH											
Index No.	Description	Material or Model Number	Part Number	Required Number							
				T-0 to U-1	U-2 U-3						
33	Copper Tube (C)-Low Side	-	2A3961G01	1	1						
34	Copper Tube (A)-High Side	-	3A4153G01	1	1						
35	Copper Tube (B)-High Side	-	3A4174G01	1	-						
			3A5270G01		1						
36	Copper Tube (C)-High Side	-	3A2179G01	1	1						
37	Copper Tube (E)-High Side	-	2A3959-01	1	1						
38	Copper Tube (F)-High Side	-	2A3966G01	1	1						
39	Copper Tube (A)	-	3A2180G01	1	1						
39a	Truss Head Screw	4x8	7C31-0408	2	2						
40	Copper Tube (B)	-	3A2181G01	1	1						
41	Insulation	-	436671-01	1	1						
42	Insulation Holder	SS	4A4126-01	1	1						
42a	T2 Screw	4x8, SS	7P32-0408	2	2						
43	Insulated Rubber Tube	-	3A4151G01	1	1						
44	Insulation Tube	L=30	7762-1020	4	4						
45	Insulation Tube	L=750	7762-1626	1	1						
46	Cable Tie	CV-200	8911-0200	16	16						
47	Connection Tee Cover	-	4A1379-01	1	1						

B. Refrigeration Circuit
1/2
KM-901MRH, KM-901MRH3
 T-0 to U-3

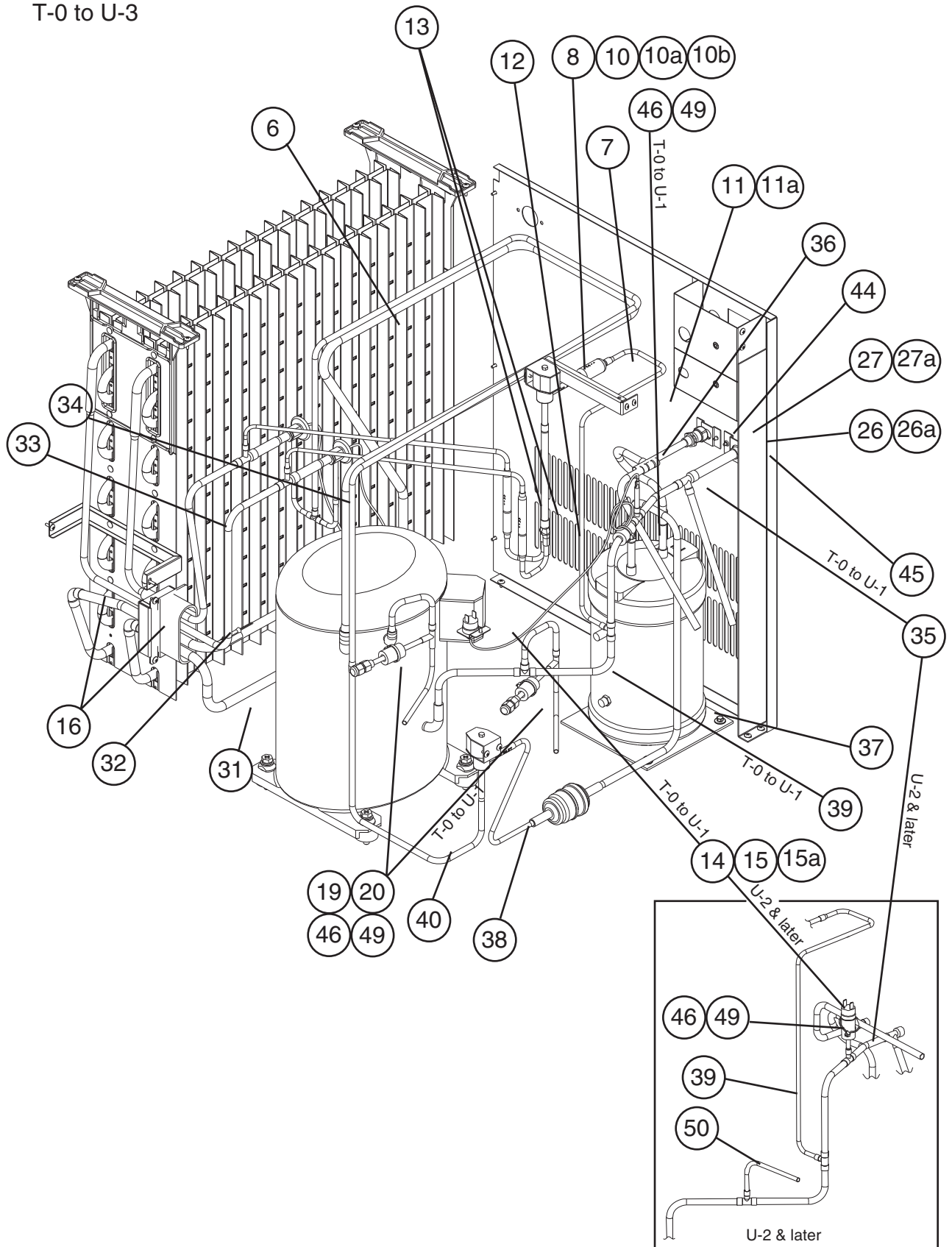


B. Refrigeration Circuit

2/2

KM-901MRH, KM-901MRH3

T-0 to U-3



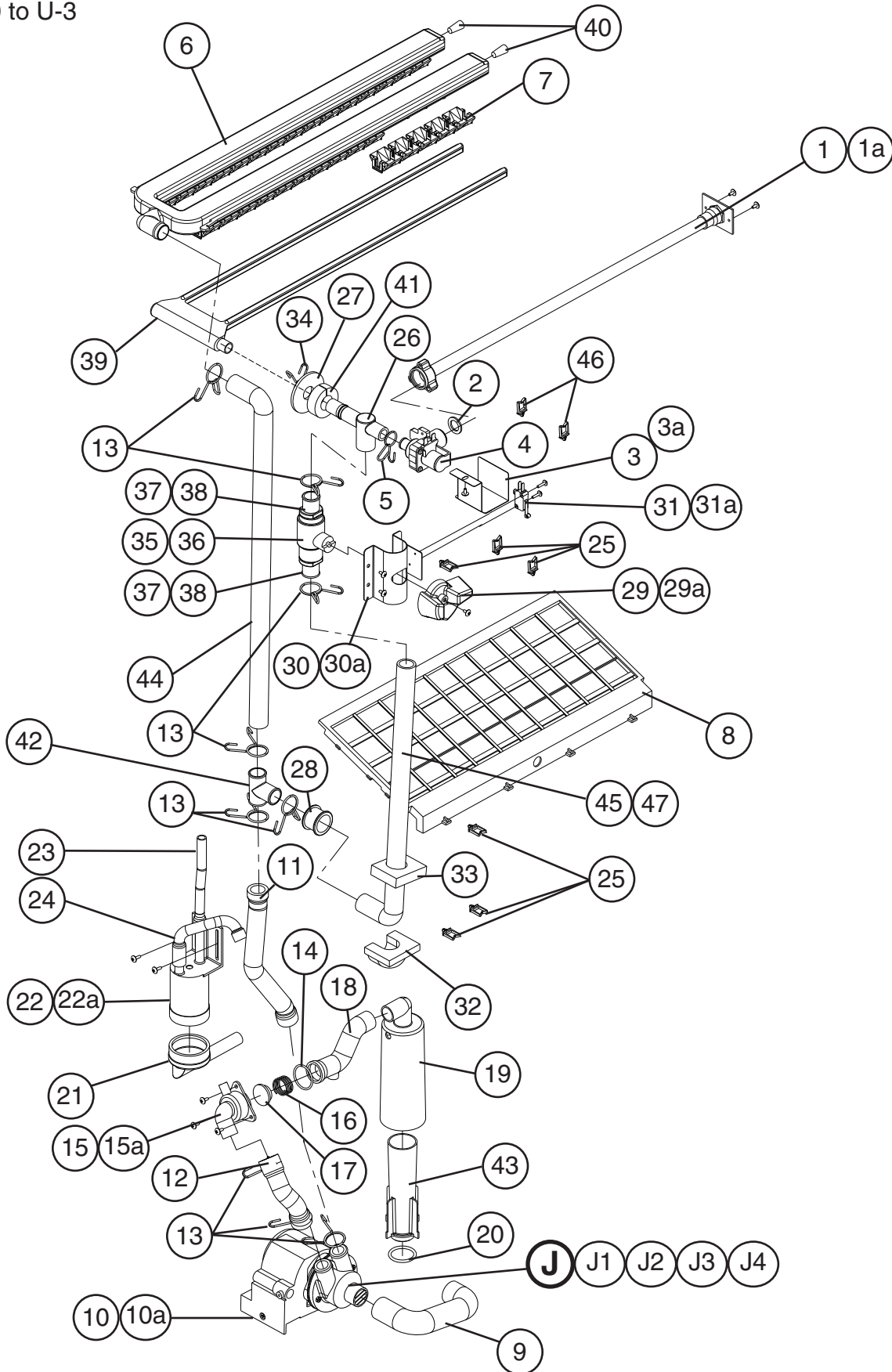
Title: B. Refrigeration Circuit Model: KM-901MRH, KM-901MRH3											
Index No.	Description	Material or Model Number	Part Number	Required Number							
				T-0 to U-1	U-2 U-3						
1	Compressor	KM-901MRH CS12K6E-PFV-279	4A4134-02	1	1						
		KM-901MRH3 CE12K6E-TF5-279	4A4135-02	1	1						
1a	Spacer	-	434921-01	4	4						
1b	Grommet	-	434922-01	4	4						
1c	Bolt	8x45	437889-01	4	4						
2	Receiver Tank	-	437652-01	1	1						
2a	Hex Head Bolt w/Washer (LF)	5x10	7B0130510	3	3						
3	Evaporator	-	106396G02	1	1						
3a	T2 Screw	4x16, SS	7P32-0416	4	4						
3b	T2 Screw	4x12, SS	7P32-0412	2	2						
4	Drier	-	4A2666-01	1	1						
5	Nylon Tie	-	8911-0301	1	1						
6	Heat Exchanger	-	1A1252G01	1	1						
7	Strainer	-	441569-02	1	1						
8	Valve Body-Hot Gas	-	4A3978-01	1	1						
9	Valve Body-Line	-	4A3276-01	1	1						
10	Coil-Valve	-	4A3277-01	2	2						
10a	Bolt	-	4A3277F01	2	2						
10b	Truss Head Screw	4x8	7C31-0408	4	4						
11	Hot Gas Valve Bracket		434916-02	1	1						
11a	T2 Screw	4x8	7P31-0408	2	2						
12	Check Valve Assembly	-	3A2718G02	1	1						
13	Check Valve	-	4A1373-01	2	2						
14	Pressure Switch		433441-07	1	-						
			463180-04		1						
15	Pressure Switch Bracket	-	434938-01	1	-						
15a	T2 Screw	4x8	7P31-0408	1	-						
16	Elbow	-	417395-03	2	2						
17	Thermistor	L=1050	429006-03	1	1						
18	Thermistor Holder	-	427430-01	1	1						
19	Access Valve	-	457729-01	2	2						
20	Copper Tube-Access Valve	-	3A4155G01	2	2						
21	Expansion Valve	-	4A1414-01	2	2						
22	Expansion Valve Cover	-	3A0944-01	2	2						
23	Holder-Expansion Valve	-	3A0107-01	2	2						
24	Clamp	-	443461-02	2	2						
25	Insulation Tube	L=170	7762-3555	2	2						
26	Tube Holder-L	GS	438245-01	1	1						
26a	T2 Screw	4x8	7P31-0408	2	2						
27	Tube Holder-S	GS	438246-01	1	1						
27a	T2 Screw	4x8	7P31-0408	2	2						
28	Top Frame (A)	GS	325938-01	1	1						
28a	T2 Screw	4x8, SS	7P32-0408	2	2						
29	Side Frame	-	2A1379G04	1	1						
29a	T2 Screw	4x8	7P31-0408	6	6						
30	Rear Panel	GS	212626G08	1	1						
30a	T2 Screw	4x8	7P31-0408	6	6						

Title: B. Refrigeration Circuit Model: KM-901MRH, KM-901MRH3											
Index No.	Description	Material or Model Number	Part Number	Required Number							
				T-0 to U-1	U-2 U-3						
31	Copper Tube (A)-Low Side	-	2A3953G01	1	1						
32	Copper Tube (B)-Low Side	-	2A3960G01	1	1						
33	Copper Tube (C)-Low Side	-	2A3961G01	1	1						
34	Copper Tube (A)-High Side	-	3A4153G01	1	1						
35	Copper Tube (B)-High Side	-	3A4204G01	1	-						
			3A5271G01		1						
36	Copper Tube (C)-High Side	-	3A1191G01	1	-						
			3A5269G01		1						
37	Copper Tube (D)-High Side	-	4A2752-01	1	1						
38	Copper Tube (E)-High Side	-	4A1769-01	1	1						
39	Copper Tube (F)-High Side	-	2A3966G01	1	-						
			2A3966G02		1						
40	Copper Tube (G)-High Side	-	2A4001-01	1	1						
41	Insulation	-	436671-01	1	1						
42	Insulation Holder	SS	4A4126-01	1	1						
42a	T2 Screw	4x8, SS	7P32-0408	2	2						
43	Insulated Rubber Tube	-	3A4151G01	1	1						
44	Coupling	-	433751G01	1	1						
45	Coupling	-	434136G02	1	1						
46	Insulation Tube	L=30	7762-1020	3	2						
47	Connection Tee Cover	-	4A1379-01	1	1						
48	Clamp	-	4A2338-01	2	2						
49	Cable Tie	CV-200	8911-0200	9	8						
50	Evacuation Tube	-	4A2848-03		1						

C. Water Circuit

KM-901MAH, KM-901MWH, KM-901MRH, KM-901MRH3

T-0 to U-3

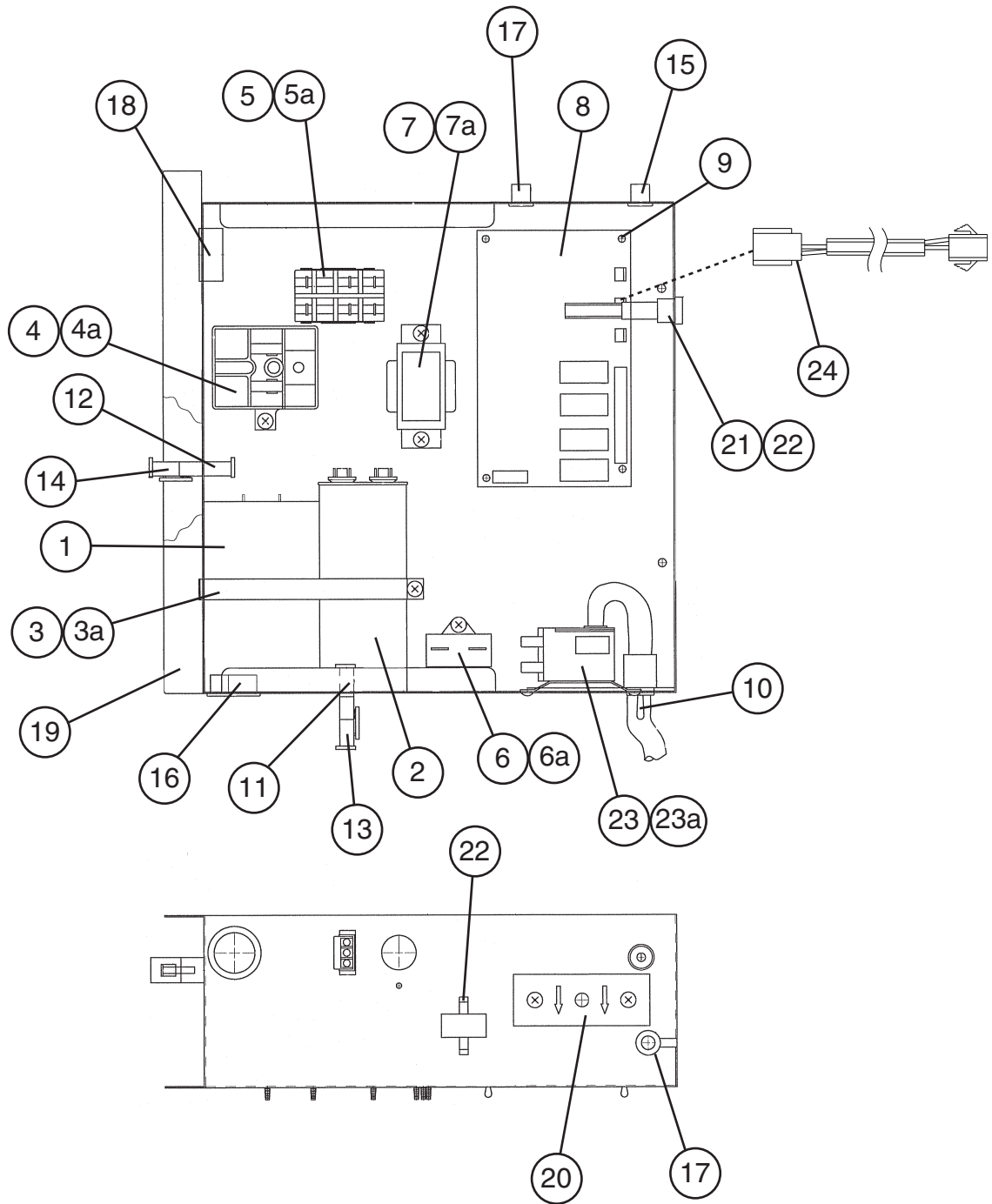


Title: **C. Water Circuit** Model: **KM-901MAH, KM-901MWH, KM-901MRH, KM-901MRH3**

Index No.	Description	Material or Model Number	Part Number	Required Number										
				T-0 to U-3										
J	Pump Motor Assembly	HS-0176	3A2638A03	1										
J1	Truss Head Screw	4x16, SS	7C32-0416	1										
J2	Flat Washer	M4, SS	7W22-0400	1										
J3	Split Lock Washer	M4, SS	7L22-0400	1										
J4	Hex Nut	M4, SS	7N12-0400	1										
1	Water Supply Pipe	-	4A0768G04	1										
1a	T2 Screw	4x8	7P31-0408	2										
2	Rubber Gasket	-	413854-03	1										
3	Water Valve Bracket	-	321443-01	1										
3a	T2 Screw	4x8	7P31-0408	1										
4	Water Valve-Inlet	-	3U0111-04	1										
5	Hose Clamp	18 mm, SS	427443-05	1										
6	Spray Tube	-	1A0260-02	1										
7	Spray Guide (A)	-	208586-01	6										
8	Cube Guide	-	212088-01	1										
9	Suction Hose	-	433466-01	1										
10	Bracket-Pump Motor	-	211408-01	1										
10a	Flat Head Screw	4x12, SS	7C22-0412	1										
11	Vinyl Hose	L=250	7716-2025	1										
12	Vinyl Hose	L=110	7716-2025	1										
13	Hose Clamp	25 mm, SS	427443-03	9										
14	"O" Ring	-	7611-G035	1										
15	Valve Housing Drain	-	321001-01	1										
15a	T2 Screw	4x10, SS	7P32-0410	3										
16	Spring	-	322110-01	1										
17	Valve Seat	-	433705-01	1										
18	Drain Hose	-	433468-01	1										
19	Overflow Cap	-	321002-01	1										
20	"O" Ring	-	4A1234-01	1										
21	Connector-Float Switch	-	426799-01	1										
22	Float Switch	-	4A3624-01	1										
22a	T2 Screw	4x12, SS	7P32-0412	2										
23	Silicone Hose	L=140	7730I3812	1										
24	Silicone Hose	L=140	7730I3896	1										
25	Wire Saddle	-	4A0338-02	6										
26	Tee	-	4A0177-01	1										
27	Flange	-	439267-01	1										
28	Rubber Ring	-	439236-01	1										
29	Handle	-	215383-01	1										
29a	T2 Screw	4x8	7P31-0408	1										
30	Valve Holder	-	3A1178-01	1										
30a	FT Screw	4x8	7F31-0408	3										
31	Microswitch	-	4A2546-01	1										
31a	Tapping Screw	3x14	431415-02	2										
32	Corner Insulation (A)	-	439376-01	1										

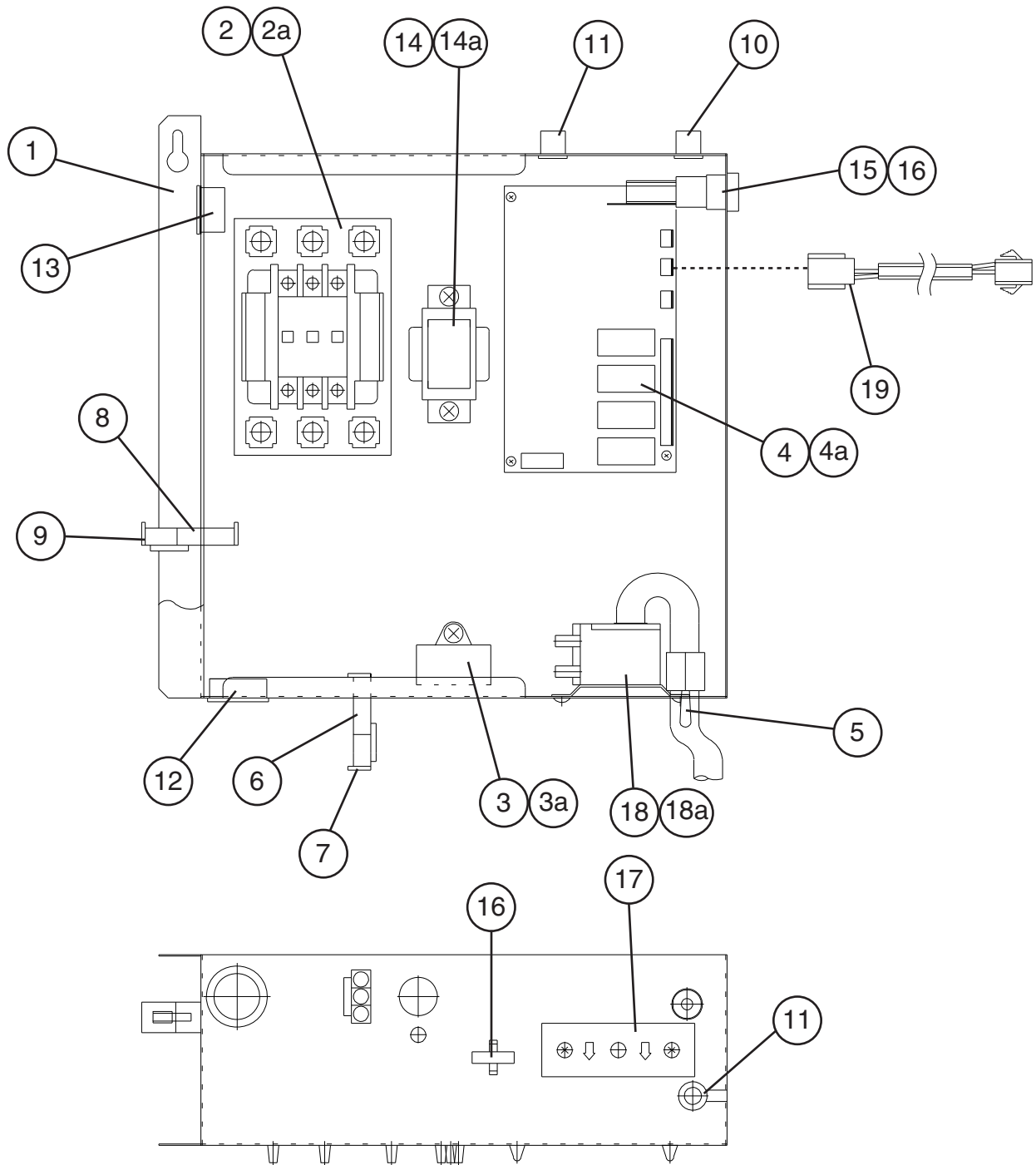
Title: C. Water Circuit Model: KM-901MAH, KM-901MWH, KM-901MRH, KM-901MRH3												
Index No.	Description	Material or Model Number	Part Number	Required Number								
				T-0 to U-3								
33	Corner Insulation (B)	-	439392-01	1								
34	Hose Clamp	20 mm, SS	427443-06	1								
35	Ball Valve Assembly (Includes items 36, 37, and 38)	S-0761	442137A01	1								
36	Ball Valve	PVC	439293-01	1								
37	Male Adapter	ABS	325826-01	2								
38	"O" Ring	1A-P18	7611-P018	2								
39	Water Supply Tube	-	2A0079-01	1								
40	Plug	-	4A0176-01	2								
41	Insulation (E)	-	4A0392-01	1								
42	Distributor	-	432426-01	1								
43	Overflow Pipe	-	430722-01	1								
44	Rubber Hose (A)	-	4A1551-01	1								
45	Rubber Hose (B)	-	4A1551-02	1								
46	Wire Saddle	-	4A0338-03	2								
47	Insulation Tube	L=370	7762-2636	1								

D. Control Box Assembly
KM-901MAH, KM-901MWH, KM-901MRH
 T-0 to U-3



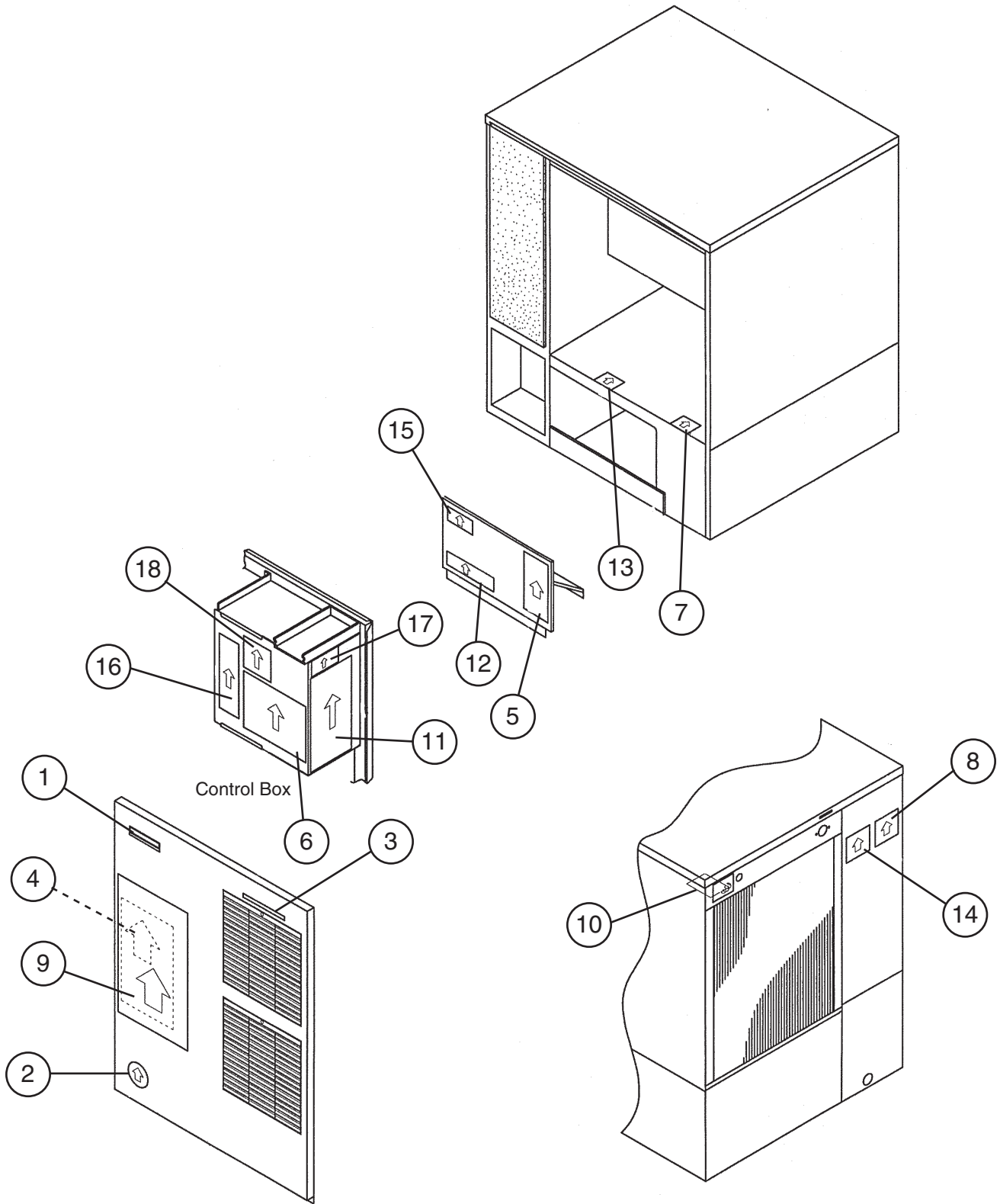
Title: D. Control Box Assembly Model: KM-901MAH, KM-901MWH, KM-901MRH											
Index No.	Description	Material or Model Number	Part Number	Required Number							
				T-0 U-0	U-1 to U-3						
1	Capacitor-Start	145-174MFD, 220V	3A0076-11	1	1						
2	Capacitor-Run	30MFD, 370V	3A2005-03	1	1						
3	Strap	-	4A2262-04	1	1						
3a	T2 Screw	4x8	7P31-0408	1	1						
4	Starter	-	4A1107-13	1	1						
4a	T2 Screw	4x8	7P31-0408	1	1						
5	Magnetic Contactor	-	428393-01	1	1						
5a	T2 Screw	4x8	7P31-0408	2	2						
6	Capacitor-Pump Motor	5.5MFD, 250V	443192-03	1	1						
6a	T2 Screw	4x10	7P31-0410	1	1						
7	Transformer	-	3A0172-01	1	1						
7a	T2 Screw	4x8	7P31-0408	2	2						
8	Control Board	"E" Board	2A1410-01	1	-						
		"G" Board	2A3792-01		1						
9	Board Support	-	4A0336-03	4	4						
10	Toggle Switch	-	443119-01	1	1						
11	Plug Housing	-	412832-06	1	1						
12	Plug Housing	KM-901MAH	412832-07	1	1						
13	Receptacle	-	412831-06	1	1						
14	Receptacle	KM-901MAH	412831-07	1	1						
15	Bushing	-	428394-02	1	1						
16	Bushing	-	420470-03	1	1						
17	Bushing	-	428394-04	2	2						
18	Bushing	-	420470-12	1	1						
19	Control Box	-	2A2524G02	1	1						
20	Control Label	-	4A1758-01	1	-						
21	Fuse Holder	-	4A3449-01	1	1						
22	Fuse	AGC 10	4A0893-07	2	2						
23	Thermostat	-	4A2879-02	1	-						
23a	Truss Head Screw	4x6	7C31-0406	2	-						
24	Wire Harness	L=300	4A2200G05		1						

D. Control Box Assembly
KM-901MRH3
 T-0 to U-3



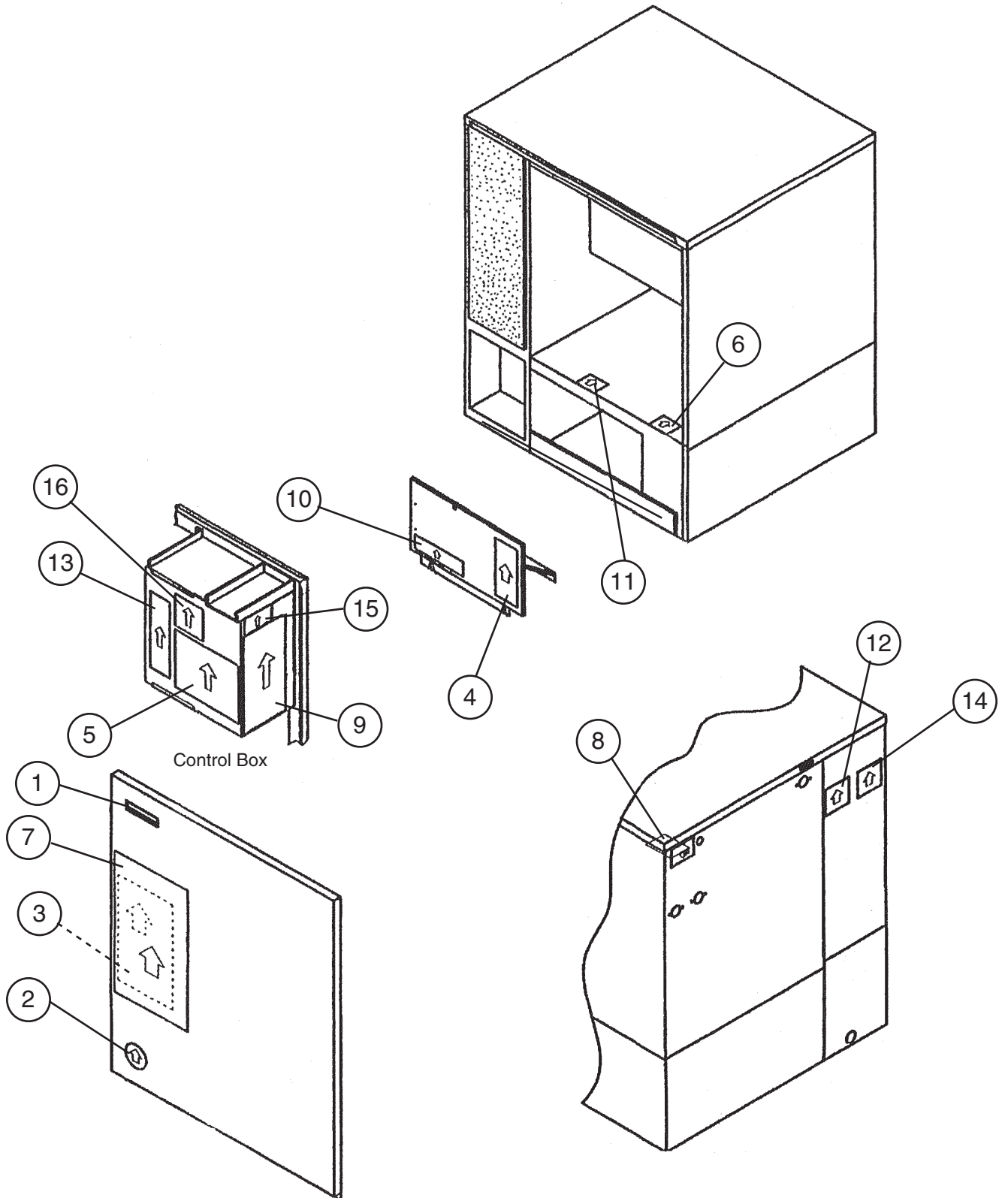
Title: D. Control Box Assembly Model: KM-901MRH3											
Index No.	Description	Material or Model Number	Part Number	Required Number							
				T-0 U-0	U-1 to U-3						
1	Control Box	-	2A2524G02	1	1						
2	Magnetic Contactor	-	4A0794-01	1	1						
2a	Truss Head Screw	4x12	7C31-0412	2	2						
3	Capacitor-Pump Motor	5.5MFD, 250V	443192-03	1	1						
3a	T2 Screw	4x8	7P31-0408	1	1						
4	Control Board	"E" Board	2A1410-01	1	-						
		"G" Board	2A3792-01		1						
4a	Board Support	-	4A0336-03	4	4						
5	Toggle Switch	-	443119-01	1	1						
6	3P Plug Housing	3191-03P	412832-06	1	1						
7	3P Receptacle Housing	3191-03R1	412831-06	1	1						
8	2P Plug Housing	3191-02P	412832-07	1	1						
9	2P Receptacle Housing	3191-02R1	412831-07	1	1						
10	Bushing	OCB-500	428394-02	1	1						
11	Bushing	OCB-875	428394-04	2	2						
12	Bushing	SB-1093-15	420470-03	1	1						
13	Bushing	SB-1093-13	420470-12	1	1						
14	Transformer	26D285H	3A0172-01	1	1						
14a	T2 Screw	4x8	7P31-0408	2	2						
15	Fuse Holder	HTB821	4A3449-01	1	1						
16	Fuse	AGC 10	4A0893-07	2	2						
17	Control Label	-	4A1758-01	1	-						
18	Thermostat	YTB-106B	4A2879-02	1	-						
18a	Truss Head Screw	4x6	7C31-0406	2	-						
19	Wire Harness	L=300	4A2200G05		1						

E. Label Location
KM-901MAH
T-0 to U-3



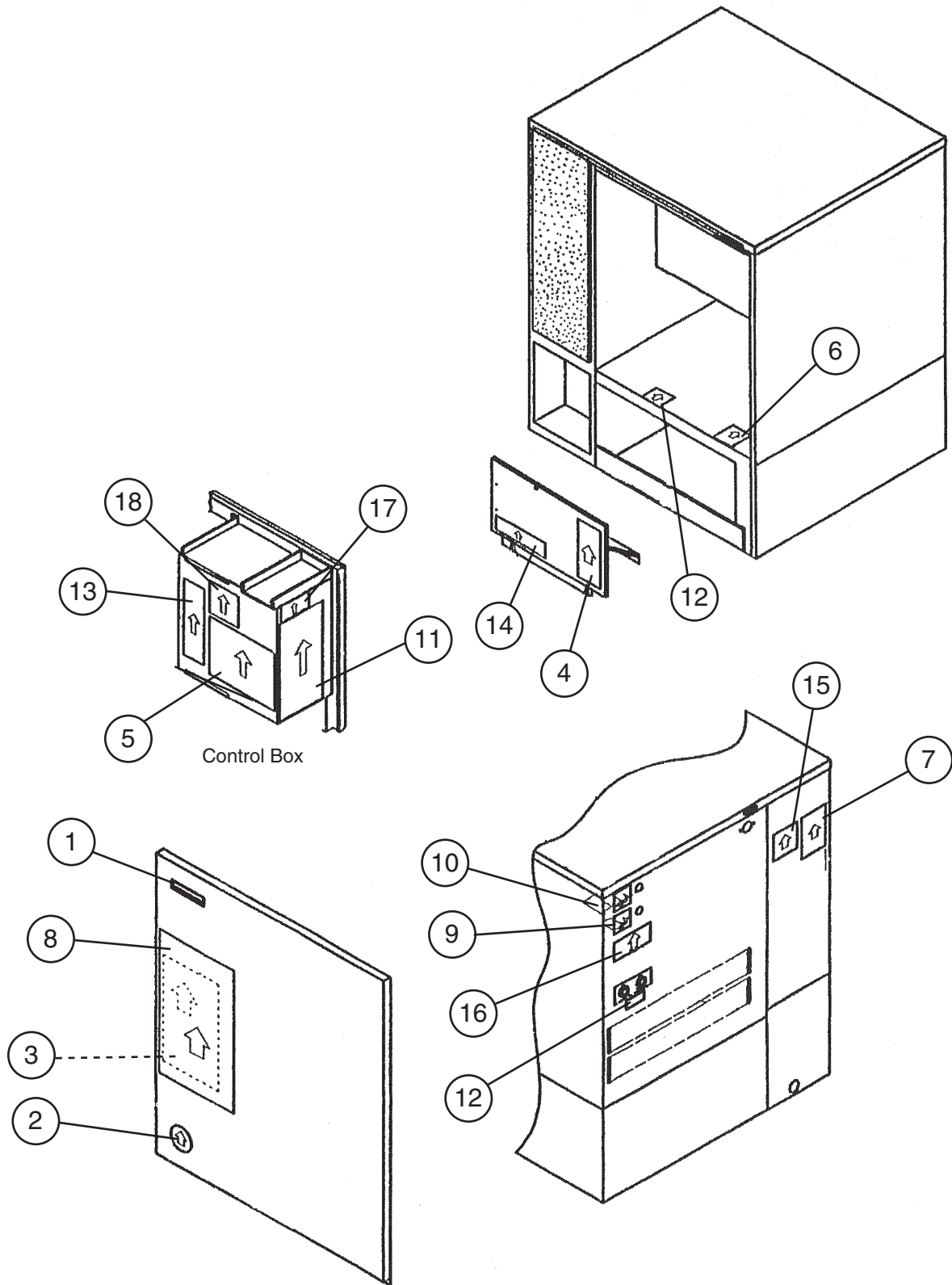
Title: E. Label Location Model: KM-901MAH													
Index No.	Description	Material or Model Number	Part Number	Required Number									
				T-0 U-0	U-1 U-2	U-3							
1	Emblem	-	4A0560-01	1	1	1							
2	Label-Penguin (R)	-	4A0526-01	1	1	1							
3	Label-Air Filter	-	426177-01	1	1	1							
4	Maintenance Label	-	3A4649-01	1	1	-							
			3A5404-01			1							
5	Caution Label (H)	-	439148-01	1	1	-							
	Warning Label (H)		4A4795-01			1							
6	Wiring Label	-	3A4231-01	1	-								
			3A5215-01		1	1							
7	Rating Label	-	2A4028-01	1	1	1							
8	Nameplate	-	2A4027-01	1	1	1							
9	Instruction Sheet	-	2A4371-01	1	-								
10	Tag-Warning: Electrical Connection	-	428430-01	1	1	-							
			4A4801-01			1							
11	Manual Label	-	324476-01	1	1	-							
			4A4839-01			1							
12	Operation Label-Valve	-	439541-01	1	1	-							
			4A4828-01			1							
13	Label-R404A	-	4A0960-01	1	1	1							
14	Instruction Label	-	444575-01	1	1	1							
15	Caution Label (F)	-	439146-01	1	1	-							
	Warning Label (F)		4A4767-01			1							
16	Label-Control Board	-	3A2220-01	1	-								
			3A4799-01		1	1							
17	Label Fuse	-	4A2817-01	1	1	-							
			4A4829-01			1							
18	Label-Alarm	-	4A3517-01	1	1	-							
			4A4737-01			1							

E. Label Location
KM-901MWH
T-0 to U-3



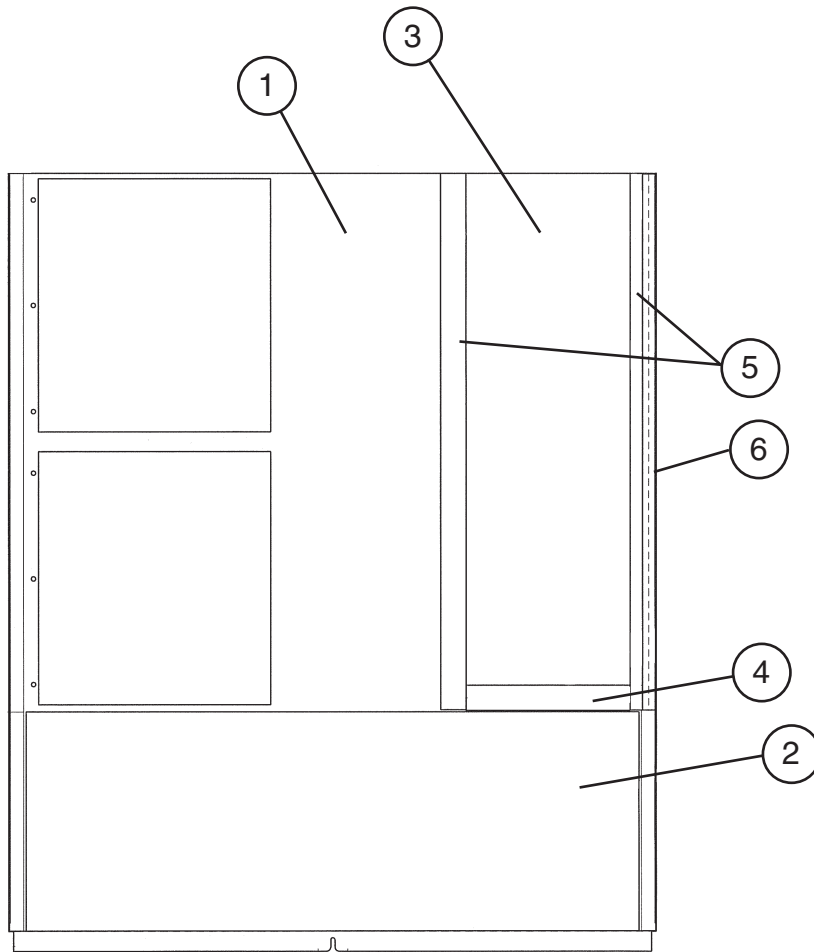
Title: E. Label Location Model: KM-901MWH												
Index No.	Description	Material or Model Number	Part Number	Required Number								
				T-0 U-0	U-1 U-2	U-3						
1	Emblem	-	4A0560-01	1	1	1						
2	Label-Penguin (R)	-	4A0526-01	1	1	1						
3	Maintenance Label	-	3A4649-01	1	1	-						
			3A5404-01			1						
4	Caution Label (H)	-	439148-01	1	1	-						
	Warning Label (H)		4A4795-01			1						
5	Wiring Label	-	3A4231-01	1	-							
			3A5215-01		1	1						
6	Rating Label	-	2A4028-02	1	1	1						
7	Instruction Sheet	-	2A4371-01	1	-							
8	Tag-Warning: Electrical Connection	-	428430-01	1	1	-						
			4A4801-01			1						
9	Manual Label	-	324476-01	1	1	-						
			4A4839-01			1						
10	Operation Label-Valve	-	439541-01	1	1	-						
			4A4828-01			1						
11	Label-R404A	-	4A0960-01	1	1	1						
12	Instruction Label	-	444575-01	1	1	1						
13	Label-Control Board	-	3A2220-01	1	-							
			3A4799-01		1	1						
14	Nameplate	-	2A4027-02	1	1	1						
15	Label-Fuse	-	4A2817-01	1	1	-						
			4A4829-01			1						
16	Label-Alarm	-	4A3517-01	1	1	-						
			4A4737-01			1						

E. Label Location
KM-901MRH, KM-901MRH3
 T-0 to U-3



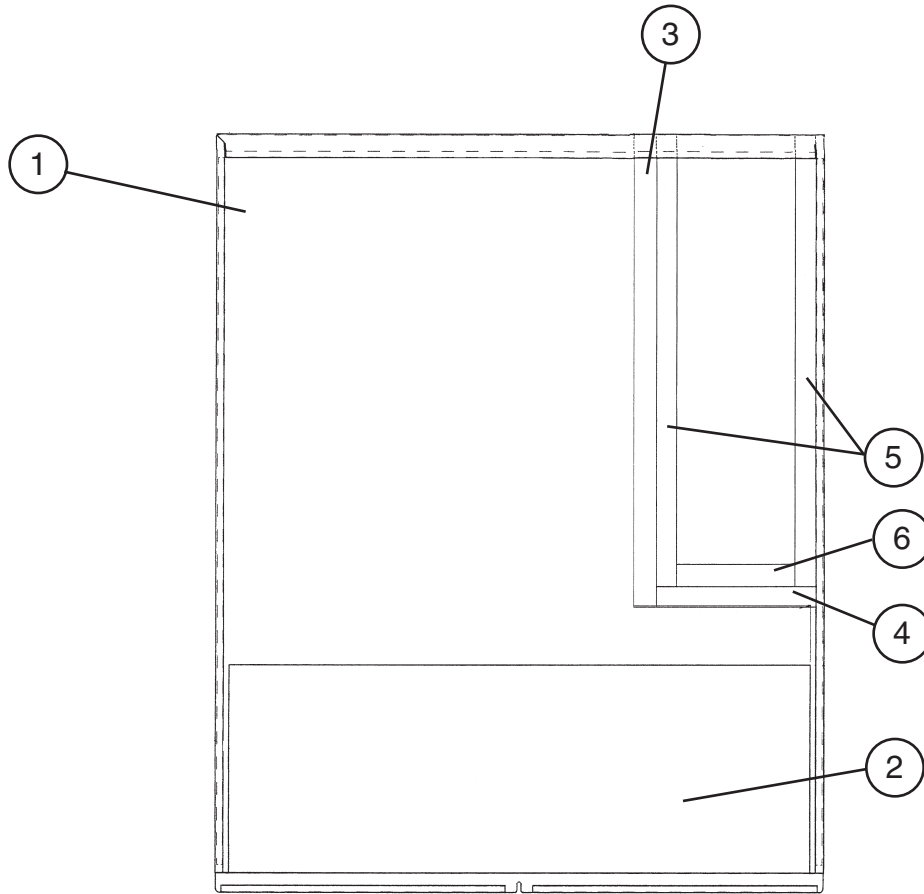
Title: E. Label Location Model: KM-901MRH, KM-901MRH3													
Index No.	Description	Material or Model Number	Part Number	Required Number									
				T-0 to U-0	U-1 U-2	U-3							
1	Emblem	-	4A0560-01	1	1	1							
2	Label-Penguin (R)	-	4A0526-01	1	1	1							
3	Maintenance Label	-	3A4649-01	1	1	-							
			3A5404-01			1							
4	Caution Label (H)	-	439148-01	1	1	-							
	Warning Label (H)		4A4795-01			1							
5	Wiring Label	KM-901MRH	3A4232-01	1	-								
			3A5230-01		1	1							
		KM-901MRH3	3A2454-01	1	-								
			3A5232-01		1	1							
6	Rating Label	KM-901MRH	2A4028-03	1	1	1							
		KM-901MRH3	2A4028-04	1	1	1							
7	Nameplate	KM-901MRH	2A4027-03	1	1	1							
		KM-901MRH3	2A4027-04	1	1	1							
8	Instruction Sheet	-	2A4371-01	1	-								
9	Tag-Fan Motor Leads	-	4A1494-01	1	1	-							
			4A4830-01			1							
10	Tag-Warning: Electrical Connection	KM-901MRH	428430-01	1	1	-							
			4A4801-01			1							
		KM-901MRH3	438479-01	1	1	-							
			4A4807-01			1							
11	Manual Label	-	324476-01	1	1	-							
			4A4839-01			1							
12	Label-R404A	-	4A0960-01	2	2	2							
13	Label-Control Board	-	3A2220-01	1	-								
			3A4799-01		1	1							
14	Operation Label-Valve	-	439541-01	1	1	-							
			4A4828-01			1							
15	Instruction Label	-	444575-01	1	1	1							
16	Caution-Remote Label	-	4A1491-01	1	1	-							
	Warning-Remote Label		4A4831-01			1							
17	Label-Fuse	-	4A2817-01	1	1	-							
			4A4829-01			1							
18	Label-Alarm	-	4A3517-01	1	1	-							
			4A4737-01			1							

F. Front Panel Assembly
KM-901MAH
 T-0 to U-3



Title: F. Front Panel Assembly Model: KM-901MAH										
Index No.	Description	Material or Model Number	Part Number	Required Number						
				T-0 to U-3						
1	Front Panel	-	2A2130-01	1						
2	Insulation (A)	-	4A2507-02	1						
3	Insulation (B)	-	4A4145-01	1						
4	Foam Seal	L=195	4A1163L01	1						
5	Foam Seal	L=665	4A1163L01	2						
6	Foam Seal	L=637	4A4163L01	1						

F. Front Panel Assembly
KM-901MWH, KM-901MRH, KM-901MRH3
 T-0 to U-3

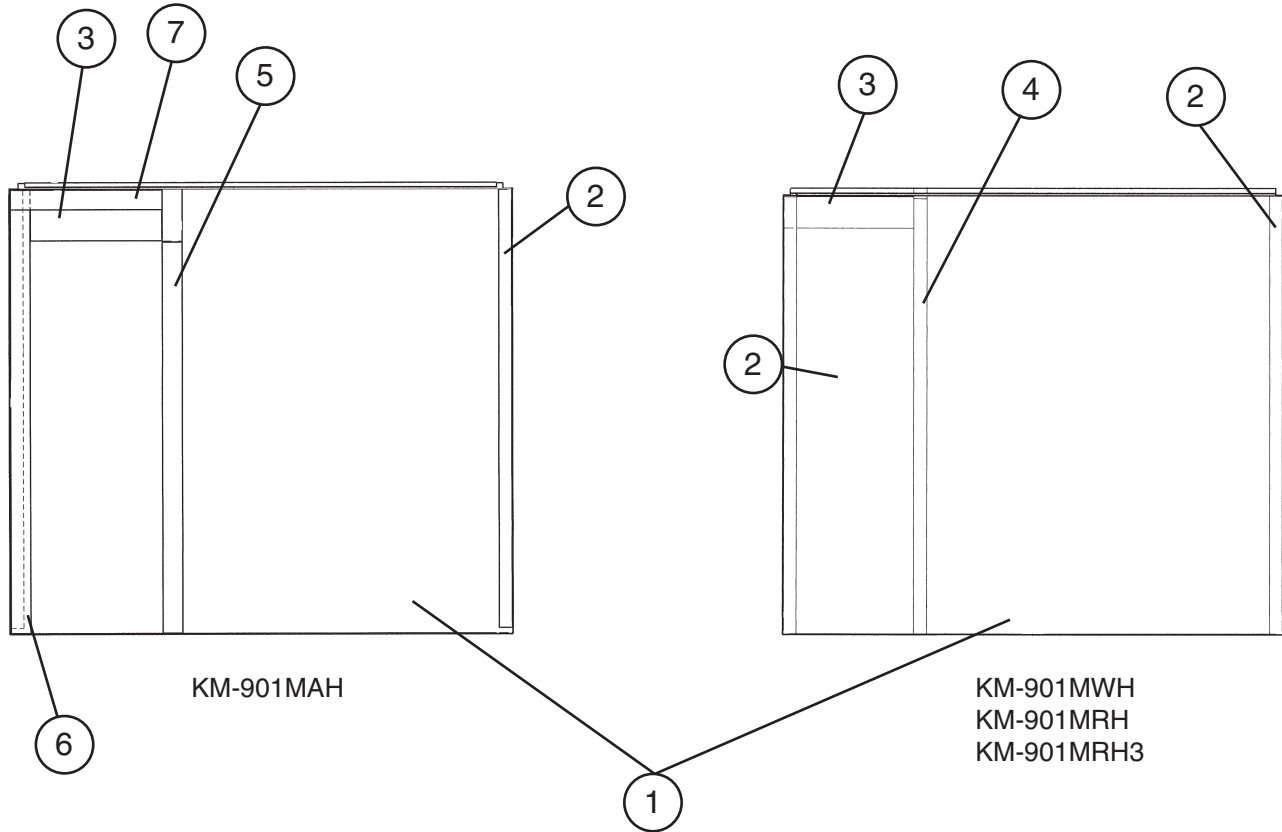


Title: F. Front Panel Assembly Model: KM-901MWH, KM-901MRH, KM-901MRH3												
Index No.	Description	Material or Model Number	Part Number	T-0 to U-3	Required Number							
1	Front Panel	-	2A2130-02	1								
2	Insulation (A)	-	4A2507-02	1								
3	Foam Seal	L=640	4A0661L01	1								
4	Foam Seal	L=220	4A0661L01	1								
5	Foam Seal	L=610	4A1163L01	2								
6	Foam Seal	L=160	4A1163L01	1								

G. Top Panel Assembly

KM-901MAH, KM-901MWH, KM-901MRH, KM-901MRH3

T-0 to U-3

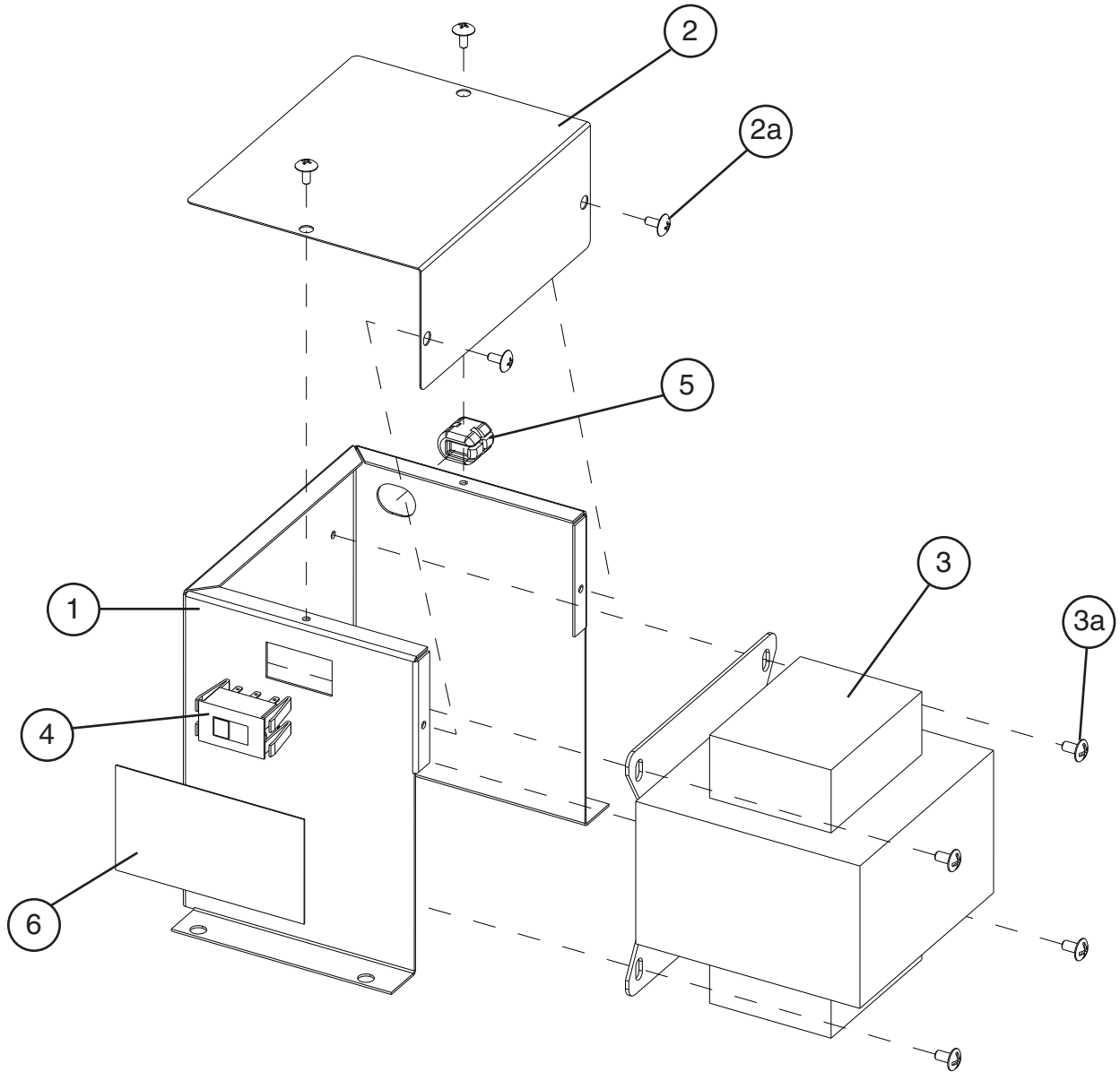


Title: G. Top Panel Assembly Model: KM-901MAH, KM-901MWH, KM-901MRH, KM-901MRH3					Required Number								
Index No.	Description	Material or Model Number	Part Number	T-0 to U-3									
1	Top Panel	-	2A2110-01	1									
2	Gasket	KM-901MAH	427014-04	1									
		KM-901MWH KM-901MRH KM-901MRH3		2									
3	Insulation	-	438012-01	1									
4	Gasket (A)	KM-901MWH KM-901MRH KM-901MRH3	324859-03	1									
5	Foam Seal	KM-901MAH L=677	4A0661L01	1									
6	Foam Seal	KM-901MAH L=677	4A0808L01	1									
7	Foam Seal	KM-901MAH L=232	4A1163L01	1									

H. Transformer Box Assembly

KM-901MRH3

T-0 to U-3

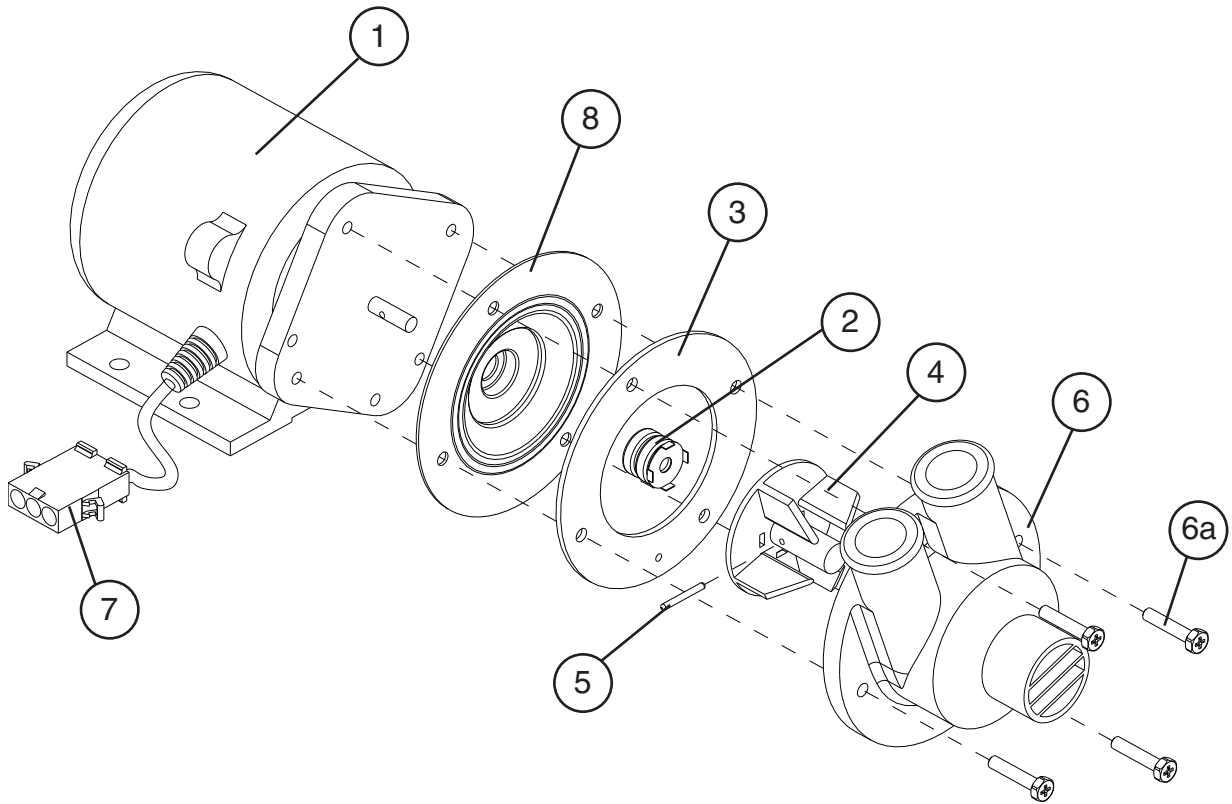


Title: H. Transformer Box Assembly Model: KM-901MRH3					Required Number												
Index No.	Description	Material or Model Number	Part Number	T-0 to U-3													
1	Transformer Box	-	3A1101-01	1													
2	Transformer Box Cover	-	438467-01	1													
2a	T2 Screw	4x8	7P31-0408	4													
3	Transformer	-	4A0817-01	1													
3a	Truss Head Screw	4x8	7C31-0408	4													
4	Slide Switch	-	4A1477-01	1													
5	Bushing	SR-30-1	420472-03	1													
6	Manual Label-Tap Switch	-	439423-01	1													

J. Pump Motor Assembly

KM-901MAH, KM-901MWH, KM-901MRH, KM-901MRH3

T-0 to U-3



Title: J. Pump Motor Assembly Model: KM-901MAH, KM-901MWH, KM-901MRH, KM-901MRH3												
Index No.	Description	Material or Model Number	Part Number	Required Number								
				T-0 to U-3								
1	Pump Motor	APTA9210WD1 120V	2A2758-01	1								
2	Mechanical Seal/R	HKU90-J9001	465627-01	1								
3	Pump Gasket	EPDM	4A2974-01	1								
4	Impeller	ABS	433522-01	1								
5	Pin	SS	4A0648-01	1								
6	Pump Housing	ABS	211409-01	1								
6a	Screw	4x20, Geomet	4A3871-01	4								
7	Plug Housing	-	412832-06	1								
8	Pump Flange	-	3A2988-01	1								

K. Accessories & Packaging

KM-901MAH, KM-901MWH, KM-901MRH, KM-901MRH3

T-0 to U-3

Title: K. Accessories & Packaging Model: KM-901MAH, KM-901MWH, KM-901MRH, KM-901MRH3												
Index No.	Description	Material or Model Number	Part Number	T-0 to U-3	Required Number							
1	Instruction Manual	-	91A1JK10C	1								
2	Universal Brace	GS	4A0363-01	2								
3	Hex Head Bolt	5x12, SS	7B02-0512	4								
-	Packaging	-	2A3865A07									