

# Hoshizaki America, Inc.

## Modular Crescent Cuber

Model  
KM-600MAH



“A Superior Degree  
of Reliability”

[www.hoshizaki.com](http://www.hoshizaki.com)

## PARTS LIST



Number: 71288  
Issued: 10-1-2008

## CONTENTS

Auxiliary Codes.....	3
Note About Ordering Parts .....	3
Material Abbreviations .....	4
A. Ice Cuber Assembly .....	5
B. Refrigeration Circuit .....	7
C. Water Circuit .....	11
D. Control Box Assembly.....	14
E. Label Location.....	16
F. Front Panel Assembly .....	18
G. Top Panel Assembly .....	19
H. Pump Motor Assembly.....	20
J. Accessories & Packaging .....	21

# Auxiliary Codes

KM-600MAH      T-0      June 2008

## Auxiliary Code Breakdown

K-0

- └─ Designates the year. "K" indicates the year 2000. Years progress or regress in alphabetical order. "J" is 1999, "L" is 2001, "M" is 2002, and so on. The letters "I" and "O" were skipped.
- └─ Designates significant part changes within the same year for this model. Base is 0 and this number advances for each change.

Example: T-1

- └─ "T" indicates 2008.
- └─ "1" indicates the first significant part change for 2008.

## Note About Ordering Parts

Most assemblies cannot be ordered as complete units; parts in the assemblies generally must be ordered separately.

## Material Abbreviations

### ALUMINUM

AL = Aluminum

### COPPER

CU = Copper

### PLASTIC

ABS = Acrylonitrile -butadiene - styrene  
AC = Polyacetal  
EVA = Ethylene vinyl acetate  
PA = Polyamide = Nylon  
PC = Polycarbonate  
PE = Polyethylene  
PES = Polyester  
PETP = Polyethylene terephthalate = Tetlon  
PP = Polypropylene  
PS = Polystyrene  
PTFE = Polytetrafluoroethylene = Teflon  
PUR = Polyurethane  
PVC = Polyvinyl chloride

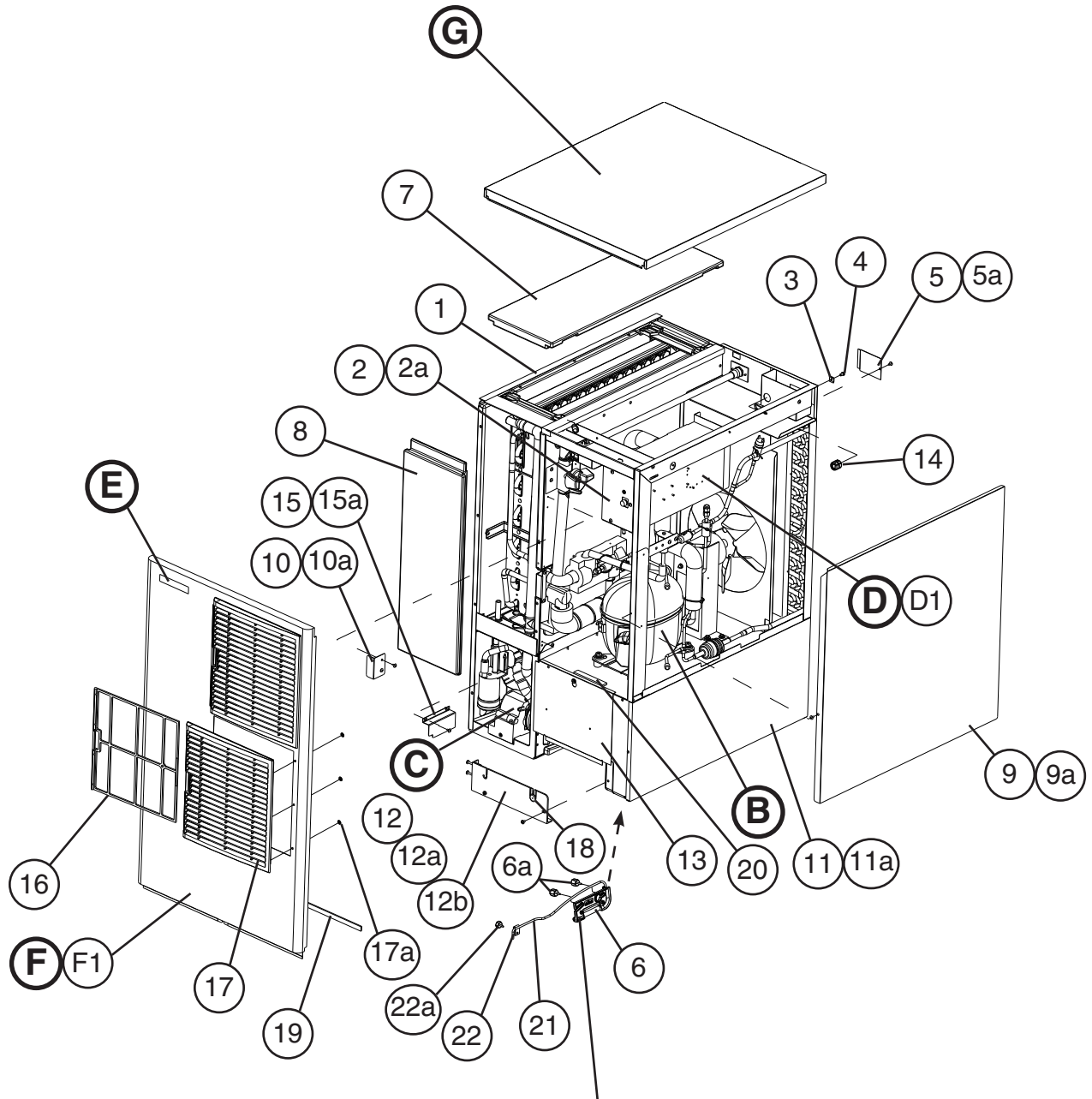
### RUBBER

VN = Vinyl Nitrile  
EPDM = EP rubber  
NBR = Nitrile butadiene rubber  
NR = Natural rubber  
NP = Neoprene  
SI.R = Silicone rubber  
SY.R = Synthetic rubber  
EPH = Epichlorohydrin

### STEEL

GS = Galvanized steel  
SS = Stainless steel  
PS = Plated steel  
PAS = Primed steel

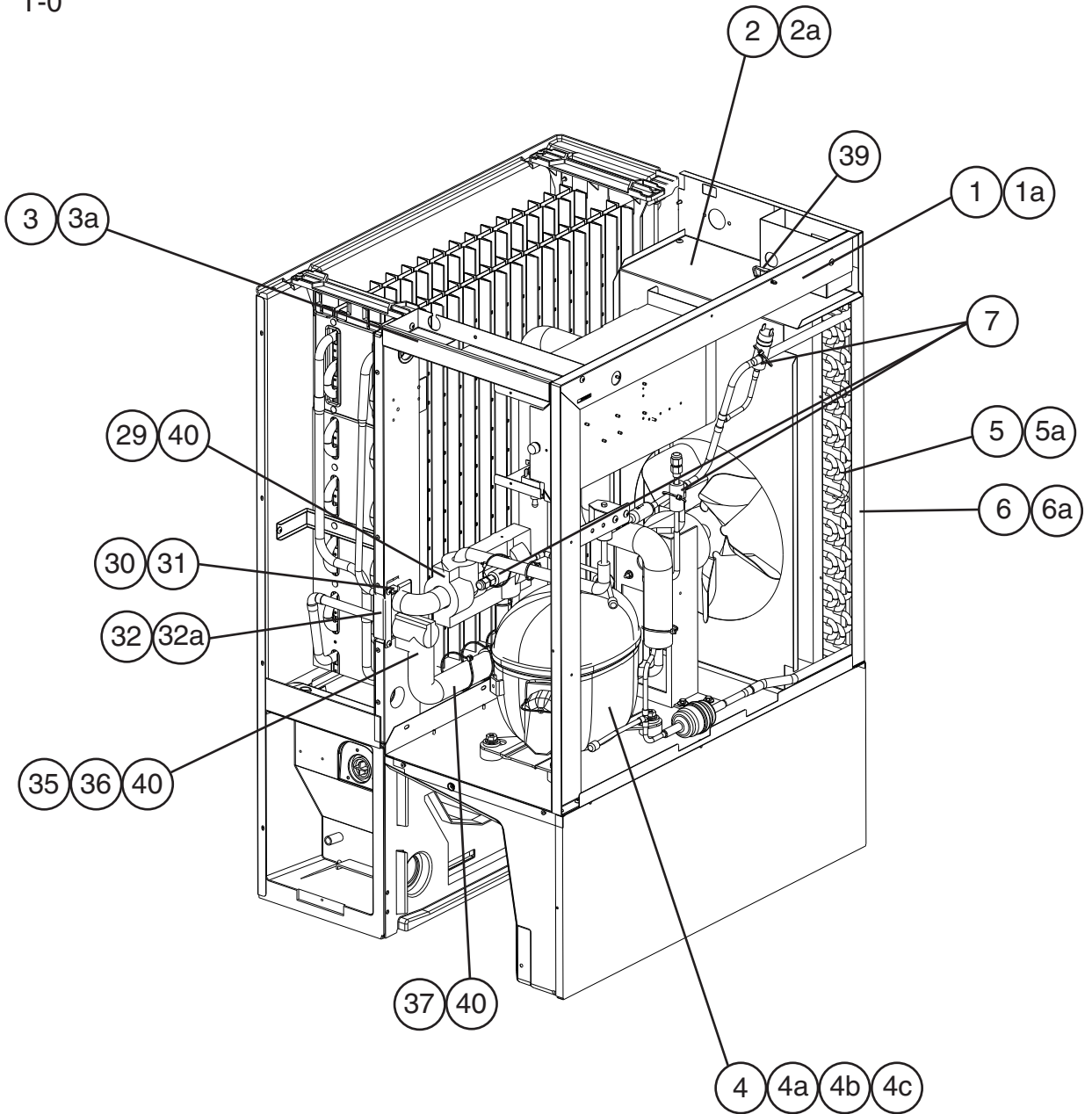
**A. Ice Cuber Assembly**  
**KM-600MAH**  
 T-0



For Thermostat, see  
 "D. Control Box Assembly"

Title: <b>A. Ice Cuber Assembly</b> Model: <b>KM-600MAH</b>												
Index No.	Description	Material or Model Number	Part Number	Required Number								
				T-0								
B	Refrigeration Circuit		1A1540A01	1								
C	Water Circuit		1A0283A08	1								
D	Control Box Assembly		2A4603A01	1								
D1	T2 Screw	4x8	7P31-0408	3								
E	Label Location		3A4815A01	1								
F	Front Panel Assembly		2A2243G01	1								
F1	Truss Head Screw	4x8, SS	7C32-0408	1								
G	Top Panel Assembly		3A3878A01	1								
1	Evaporator Case		1A0579G07	1								
2	Control Box Cover		3A2371-01	1								
2a	T2 Screw	4x8	7P31-0408	3								
3	Square Washer		433537-02	1								
4	Grounding Screw		433304-02	1								
5	Junction Box Cover		433410-01	1								
5a	T2 Screw	4x8	7P31-0408	1								
6	Bulb Holder		3A3903-01	1								
6a	Thumbscrew	Black	415949G11	2								
7	Top Insulation		215730G01	1								
8	Front Insulation		215731G02	1								
9	Side Panel (R)	SS	2A2117G02	1								
9a	T2 Screw	4x8, SS	7P32-0408	1								
10	Insulation Barrier		4A1167-01	1								
10a	T2 Screw	4x8	7P31-0408	2								
11	Base		2A2146G15	1								
11a	FT Screw	4x8	7F31-0408	7								
12	Frame		3A2503G01	1								
12a	Truss Head Screw	4x25, SS	7C32-0425	2								
12b	Truss Head Screw	4x8, SS	7C32-0408	1								
13	Base Cover	SS	321525G01	1								
14	Bushing	SR-34-2	420472-05	1								
15	Barrier		4A0352-01	1								
15a	T2 Screw	4x8	7P31-0408	2								
16	Air Filter		2A2062G01	2								
17	Louver		1A0547-01	2								
17a	Push Retainer		4A2414-01	6								
18	Capillary Ring		425307-01	1								
19	Gasket	L=554	4A0808L02	1								
20	Foam Tape	L=100	8208-0005	1								
21	Silicone Hose	L=380	773013812	1								
22	Strap		435487-01	1								
22a	Thumbscrew	Black	415949G10	1								

**B. Refrigeration Circuit**  
**1/2**  
**KM-600MAH**  
 T-0

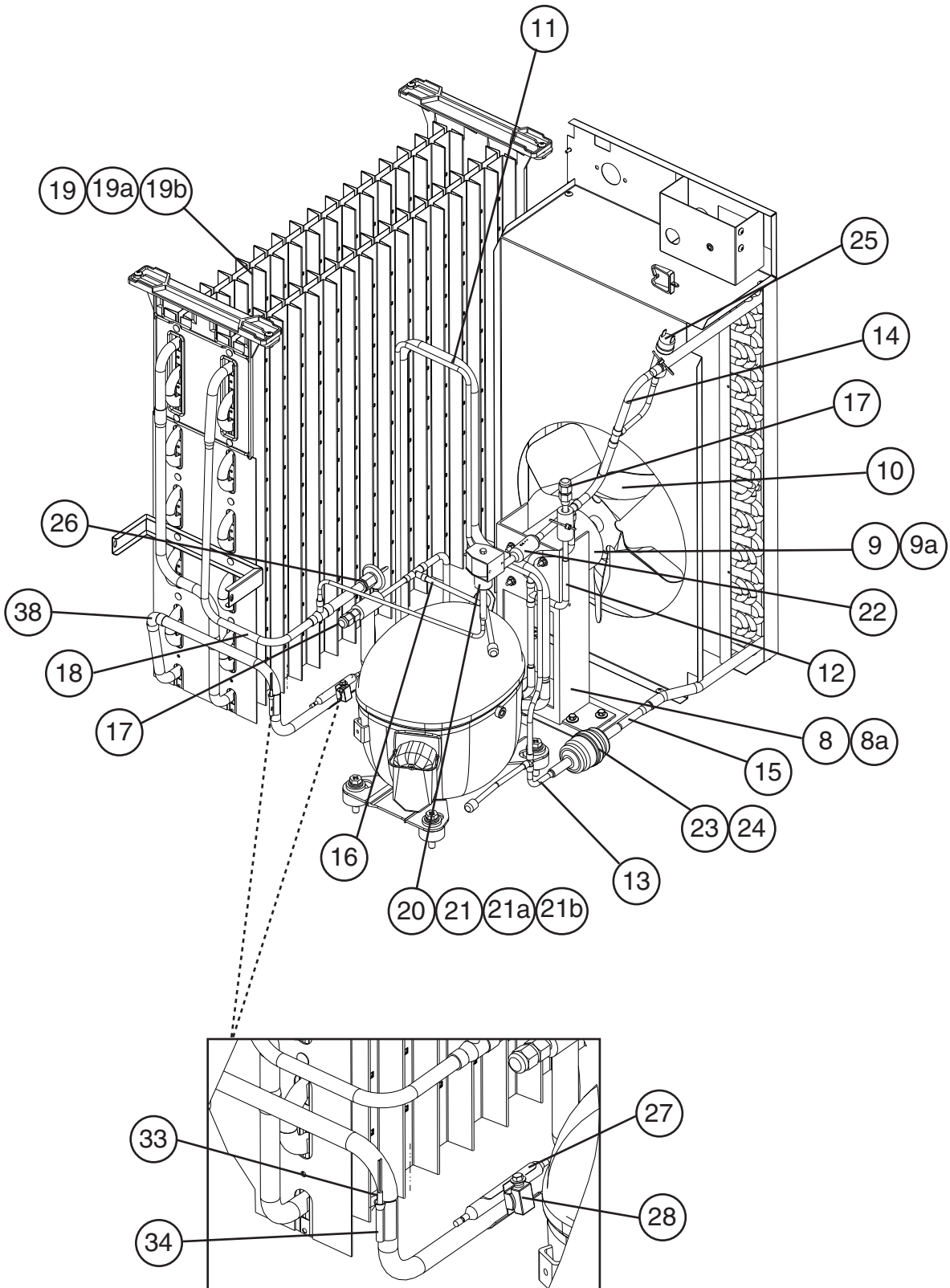


# B. Refrigeration Circuit

2/2

KM-600MAH

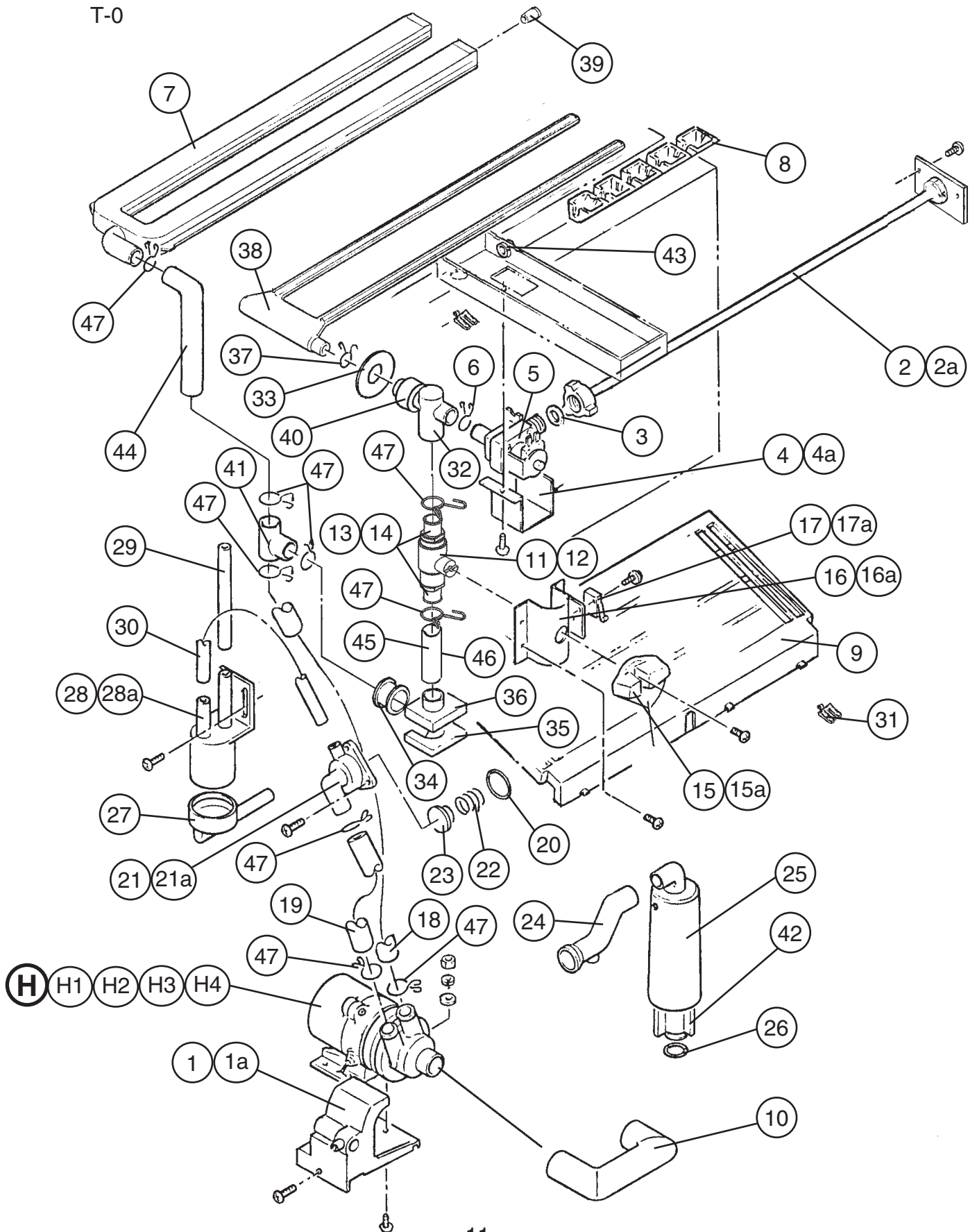
T-0



Title: <b>B. Refrigeration Circuit</b> Model: <b>KM-600MAH</b>												
Index No.	Description	Material or Model Number	Part Number	Required Number								
				T-0								
1	Side Frame		2A1301G01	1								
1a	T2 Screw	4x8	7P31-0408	6								
2	Shroud Assembly		2A3849G01	1								
2a	T2 Screw	4x8	7P31-0408	5								
3	Top Frame (A)		3A1893-01	1								
3a	T2 Screw	4x8	7P31-0408	2								
4	Compressor	RST55C1E-CAA-202	4A4376-01	1								
4a	Grommet		4A2593-01	4								
4b	Spacer		4A2595-01	4								
4c	Bolt	8x45	437889-01	4								
5	Condenser		2A3853-01	1								
5a	T2 Screw	4x8	7P31-0408	4								
6	Barrier		433693-02	1								
6a	T2 Screw	4x8	7P31-0408	2								
7	Insulation Tube	L=40	7762-1020	3								
8	Fan Motor Bracket		327180-01	1								
8a	Hex Head Bolt w/Washer (LF)	5x12	7B0130512	4								
9	Fan Motor	50 Watt-GEHI	4A3158-01	1								
9a	Self-Locking Nut	No. 8-32	7N2110832	4								
10	Fan Blade		4A3959-01	1								
11	Heat Exchanger		2A4585G02	1								
12	Copper Tube (A)-High Side		3A4829G01	1								
13	Copper Tube (B)-High Side		3A4803G01	1								
14	Copper Tube (C)-High Side		3A4475G01	1								
15	Copper Tube (F)-High Side		4A4084-01	1								
16	Copper Tube-Access Valve		3A4783G01	1								
17	Access Valve		457729-01	2								
18	Copper Tube-Hot Gas		2A4588G01	1								
19	Evaporator		106396G01	1								
19a	T2 Screw	4x16, SS	7P32-0416	4								
19b	T2 Screw	4x12, SS	7P32-0412	2								
20	Valve Body-Hot Gas		4A3978-01	1								
21	Coil-Valve		4A3277-01	1								
21a	Bolt		4A3277F01	1								
21b	Truss Head Screw	4x8	7C31-0408	2								
22	Strainer		441569-02	1								
23	Drier		4A2666-01	1								
24	Nylon Tie	PLWP3H-TL	8911-0301	1								
25	Pressure Switch		463180-04	1								
26	Expansion Valve		4A4619-01	1								
27	Expansion Valve Holder		3A0107-01	1								
28	Clamp		443461-02	1								
29	Expansion Valve Cover		3A0944-01	1								
30	Rubber Insulation (A)		3A1044-01	1								
31	Rubber Insulation (B)		3A1045-01	1								
32	Insulation Holder	SS	4A1550-01	1								
32a	T2 Screw	4x8, SS	7P32-0408	2								
33	Thermistor	L=1050	429006-03	1								
34	Holder-Thermistor		427430-01	1								

Title: <b>B. Refrigeration Circuit</b> Model: <b>KM-600MAH</b>												
Index No.	Description	Material or Model Number	Part Number	Required Number								
				T-0								
35	Insulation-Thermistor (A)		439368-01	1								
36	Insulation-Thermistor (B)		439368-02	1								
37	Insulation Tube	L=200	7762-3555	1								
38	Elbow		417395-03	1								
39	Clamp		4A2338-01	1								
40	Nylon Tie		8911-0200	15								

**C. Water Circuit**  
**KM-600MAH**  
 T-0

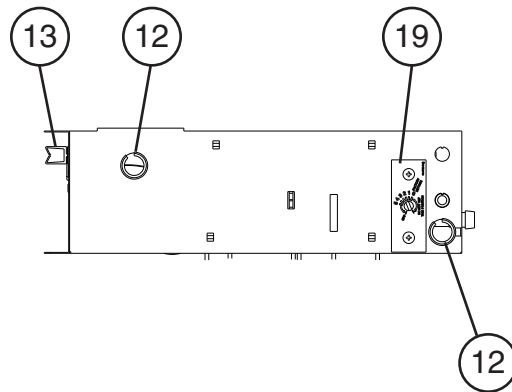
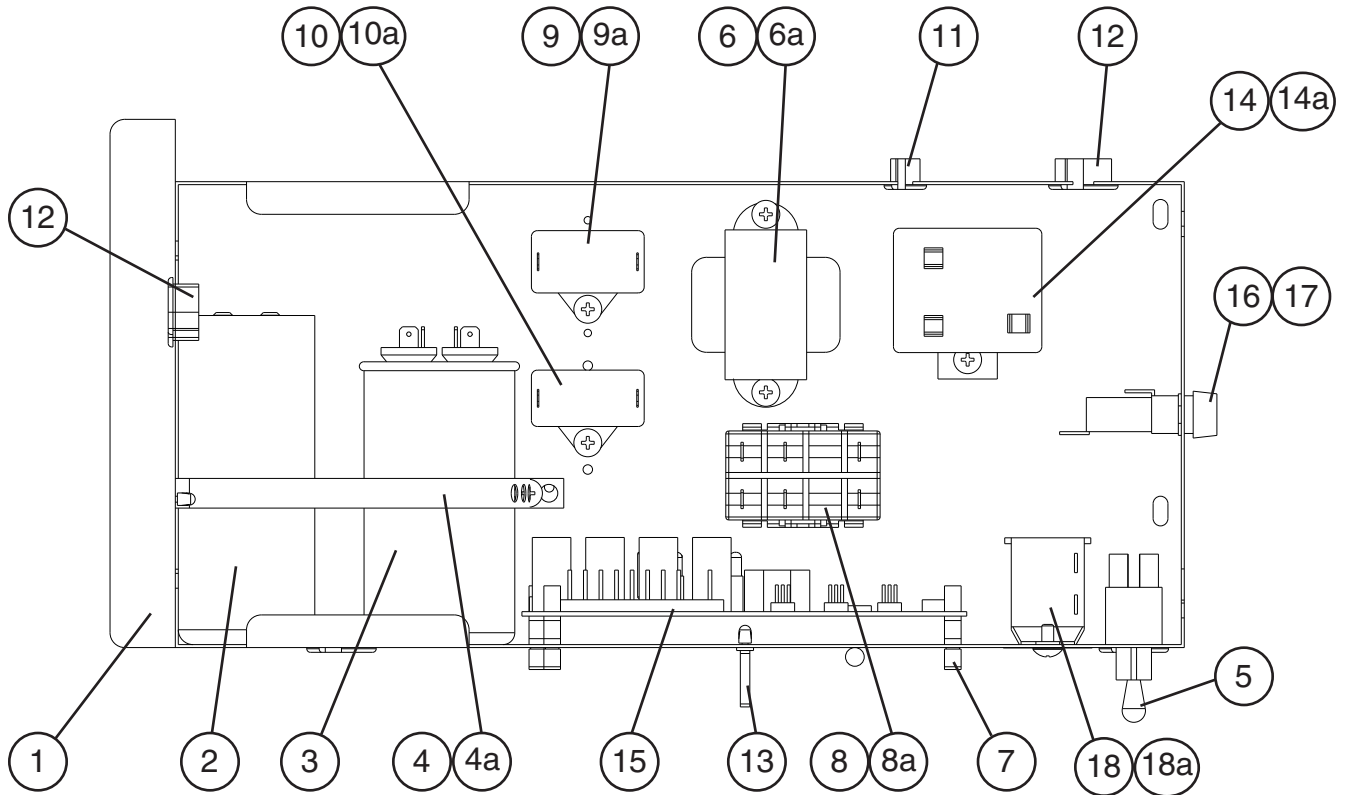


Title: **C. Water Circuit** Model: **KM-600MAH**

Index No.	Description	Material or Model Number	Part Number	Required Number										
				T-0										
H	Pump Motor Assembly	HS-0176	3A2638A03	1										
H1	Truss Head Screw	4x16, SS	7C32-0416	1										
H2	Flat Washer	M4, SS	7W22-0400	1										
H3	Split Lock Washer	M4, SS	7L22-0400	1										
H4	Hex Nut	M4, SS	7N12-0400	1										
1	Pump Motor Bracket		211408-01	1										
1a	Flat Head T2 Screw	4x12, SS	7P22-0412	1										
2	Water Supply Pipe		4A0768G04	1										
2a	T2 Screw	4x8	7P31-0408	2										
3	Rubber Gasket		413854-03	1										
4	Water Valve Bracket		321443-01	1										
4a	T2 Screw	4x8	7P31-0408	1										
5	Water Valve	J248-033	3U0111-03	1										
6	Hose Clamp	18mm, SS	427443-05	1										
7	Spray Tube		1A0260-02	1										
8	Spray Guide (A)		208586-01	6										
9	Cube Guide		212088-01	1										
10	Suction Hose	EPDM Black	433466-01	1										
11	Ball Valve Assembly (includes items 12, 13, and 14)	S-0761	442137A01	1										
12	Ball Valve		439293-01	1										
13	Male Adaptor		325826-01	2										
14	"O" Ring		7611-P018	2										
15	Handle		215383-01	1										
15a	T2 Screw	4x8	7P31-0408	1										
16	Valve Holder		3A1178-01	1										
16a	FT Screw	4x8	7F31-0408	3										
17	Microswitch		4A2546-01	1										
17a	Tapping Screw	3x14	431415-02	2										
18	Vinyl Hose	L=250	7716-2025	1										
19	Vinyl Hose	L=110	7716-2025	1										
20	"O" Ring		7611-G035	1										
21	Valve Housing-Drain		321001-01	1										
21a	T2 Screw	4x10, SS	7P32-0410	3										
22	Spring		322110-01	1										
23	Valve Seat	EPDM Black	433705-01	1										
24	Drain Hose		433468-01	1										
25	Overflow Cap		321002-01	1										
26	"O" Ring		4A1234-01	1										
27	Connector-Float Switch		426799-01	1										
28	Float Switch		4A3624-01	1										
28a	T2 Screw	4x12, SS	7P32-0412	2										
29	Silicone Hose	L=140	7730I3812	1										
30	Silicone Hose	L=140	7730I3896	1										
31	Wire Saddle		4A0338-02	4										
32	Tee		4A0177-01	1										
33	Flange		439267-01	1										
34	Rubber Ring		439236-01	1										

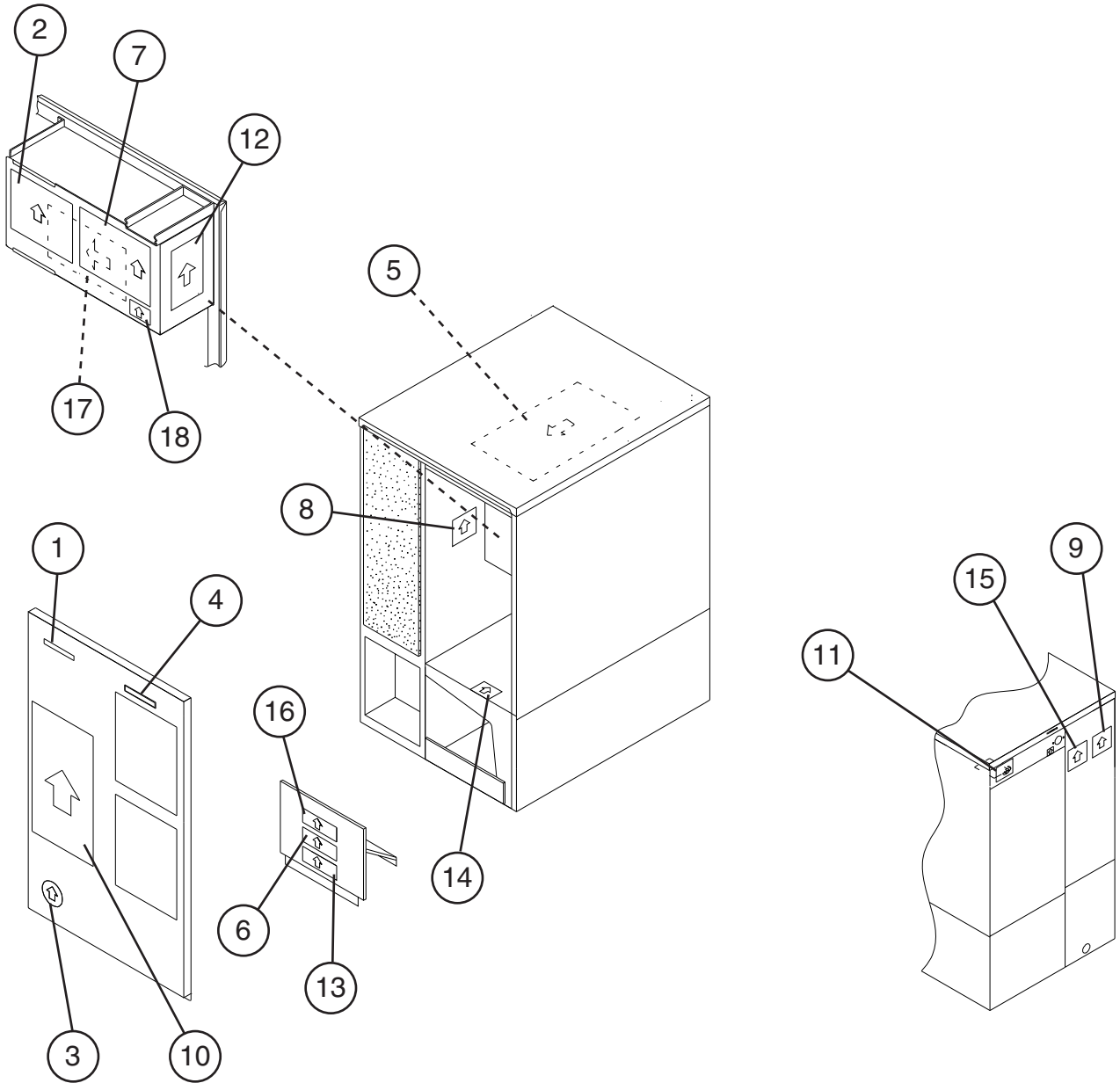
Title: <b>C. Water Circuit</b> Model: <b>KM-600MAH</b>													
Index No.	Description	Material or Model Number	Part Number	Required Number									
				T-0									
35	Corner Insulation (A)		439376-01	1									
36	Corner Insulation (B)		439392-01	1									
37	Hose Clamp	20mm, SS	427443-06	1									
38	Water Supply Tube		2A0079-01	1									
39	Plug		4A0176-01	2									
40	Insulation (E)		4A0392-01	1									
41	Distributor		432426-01	1									
42	Overflow Pipe		430722-01	1									
43	Bushing	OCB-875	428394-04	1									
44	Rubber Hose (A)		4A1551-01	1									
45	Rubber Hose (B)		4A1551-02	1									
46	Insulation Tube	L=370	7762-2636	1									
47	Clamp	25mm, SS	427443-03	9									

**D. Control Box Assembly**  
**KM-600MAH**  
 T-0



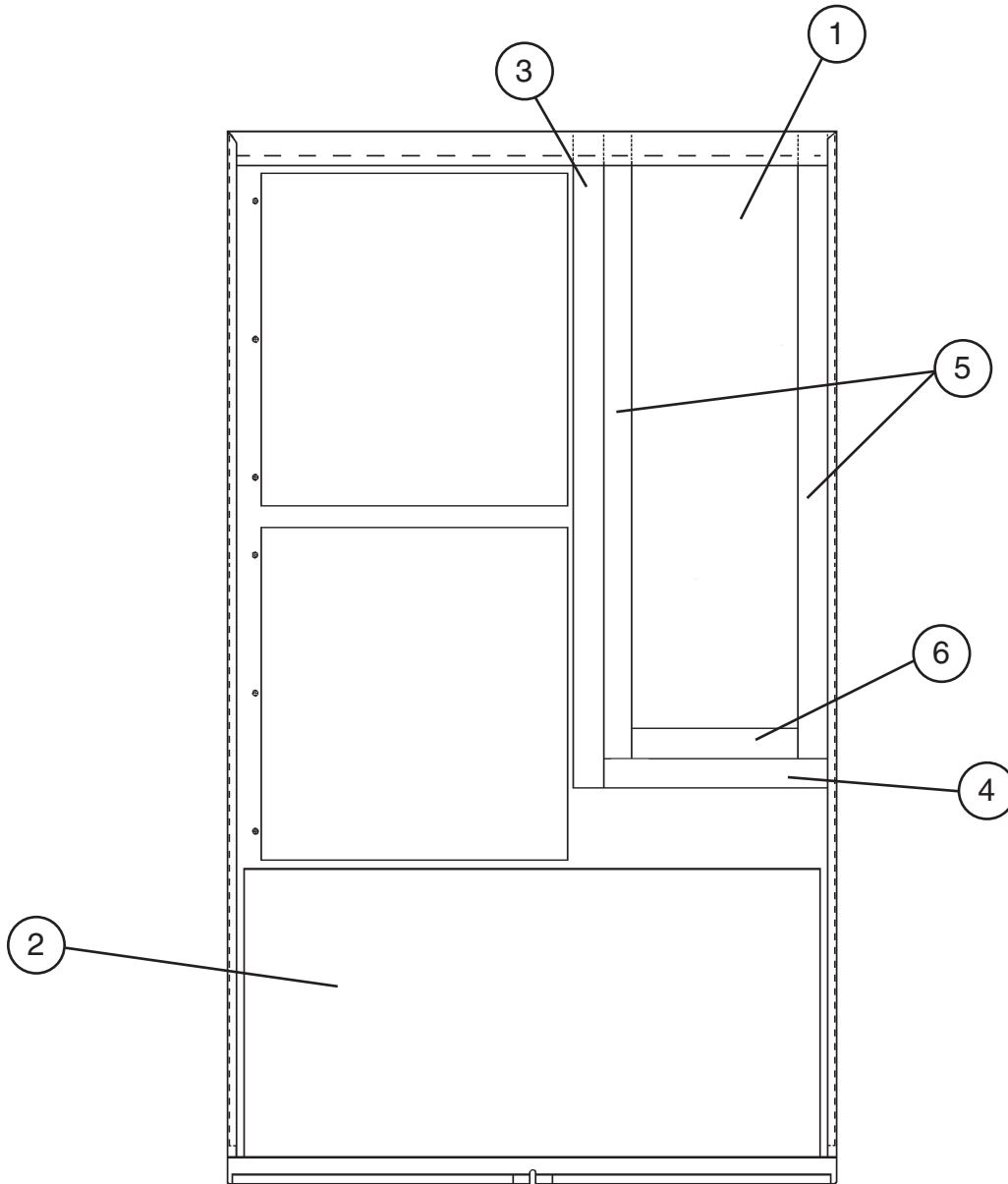
Title: <b>D. Control Box Assembly</b> Model: <b>KM-600MAH</b>												
Index No.	Description	Material or Model Number	Part Number	Required Number								
				T-0								
1	Control Box		3A2372G02	1								
2	Start Capacitor	243-292MFD, 165VAC	3A0076-20	1								
3	Run Capacitor	35MFD, 440VAC	3A2005-12	1								
4	Strap		4A2262-03	1								
4a	T2 Screw	4x8	7P31-0408	1								
5	Toggle Switch		443119-01	1								
6	Transformer	26D285H	3A0172-01	1								
6a	T2 Screw	4x8	7P31-0408	2								
7	Board Support		4A0336-03	4								
8	Magnetic Contactor		428393-01	1								
8a	T2 Screw	4x8	7P31-0408	2								
9	Capacitor-Pump	5.5MFD, 250VAC	443192-03	1								
9a	T2 Screw	4x10	7P31-0410	1								
10	Capacitor-Fan	5.0MFD, 250VAC	443192-02	1								
10a	T2 Screw	4x10	7P31-0410	1								
11	Bushing	OCB-500	428394-02	1								
12	Bushing	OCB-875	428394-04	4								
13	Wire Saddle		4A0338-02	2								
14	Starter	3ARR3KC10V5	4A1107-12	1								
14a	T2 Screw	4x8	7P31-0408	1								
15	Control Board		2A1410-01	1								
16	Fuse Holder	HTB821	4A3449-01	1								
17	Fuse	AGC-10 250V 10A	4A0893-07	2								
18	Thermostat	YTB-3U112	4A2879-01	1								
18a	Truss Head Screw	4x8	7C31-0408	2								
19	Control Label		4A1758-01	1								

**E. Label Location**  
**KM-600MAH**  
T-0



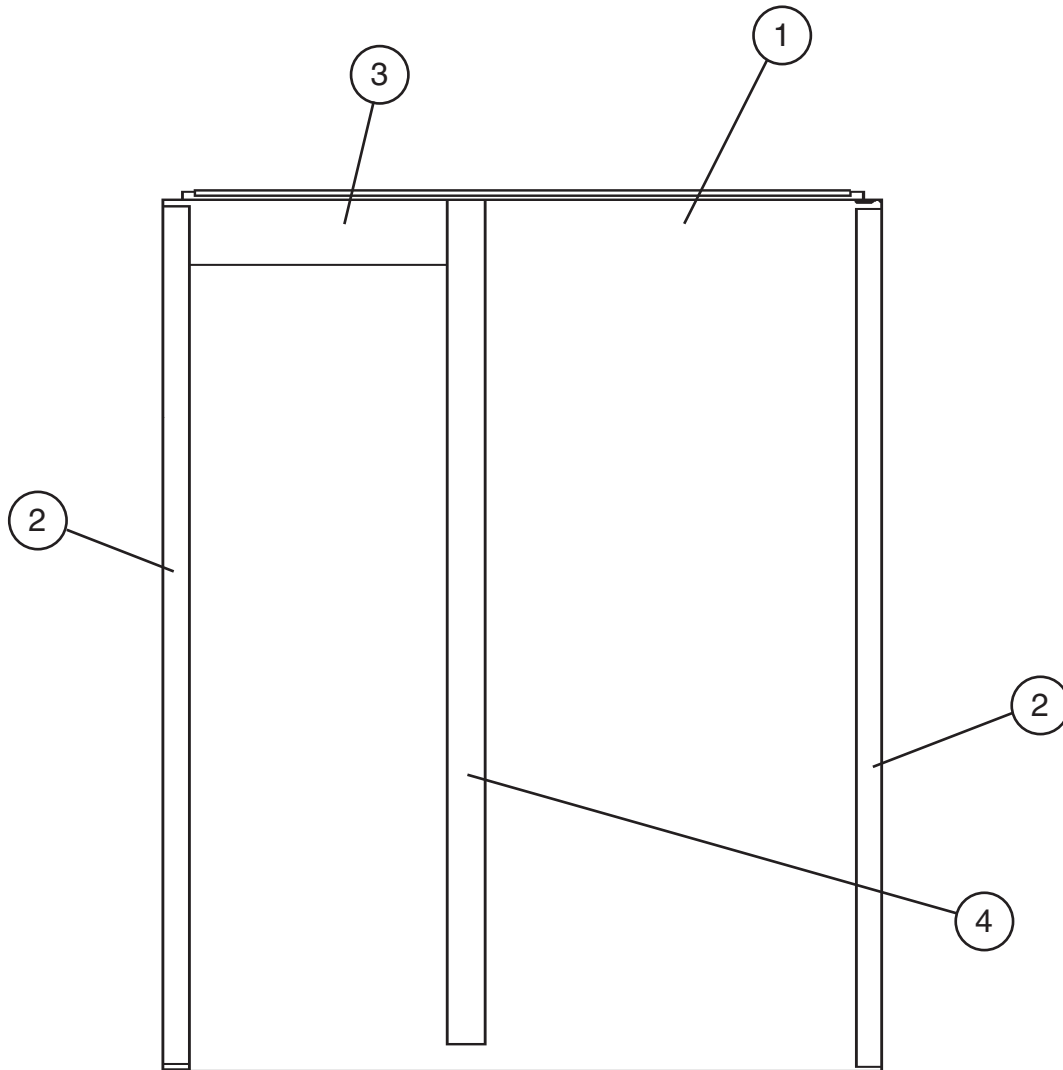
Title: <b>E. Label Location</b> Model: <b>KM-600MAH</b>												
Index No.	Description	Material or Model Number	Part Number	Required Number								
				T-0								
1	Emblem		4A0560-01	1								
2	Label-Alarm		4A3517-01	1								
3	Label-Penguin-R		4A0526-01	1								
4	Label-Air Filter		426177-01	1								
5	Maintenance Label		326218-01	1								
6	Caution Label-K		439150-01	1								
7	Wiring Label		3A4816-01	1								
8	Rating Label		2A4623-01	1								
9	Nameplate		2A4624-01	1								
10	Instruction Sheet		2A4371-01	1								
11	Tag-Warning: Electrical Connection		435005-01	1								
12	Manual Label		4A2864-01	1								
13	Operation Label-Valve		439541-01	1								
14	Label-R404A		4A0960-01	1								
15	Instruction Label		444575-01	1								
16	Caution Label (F)		439146-01	1								
17	Label-Control Board		3A2220-01	1								
18	Label-Fuse		4A2817-01	1								

**F. Front Panel Assembly**  
**KM-600MAH**  
 T-0



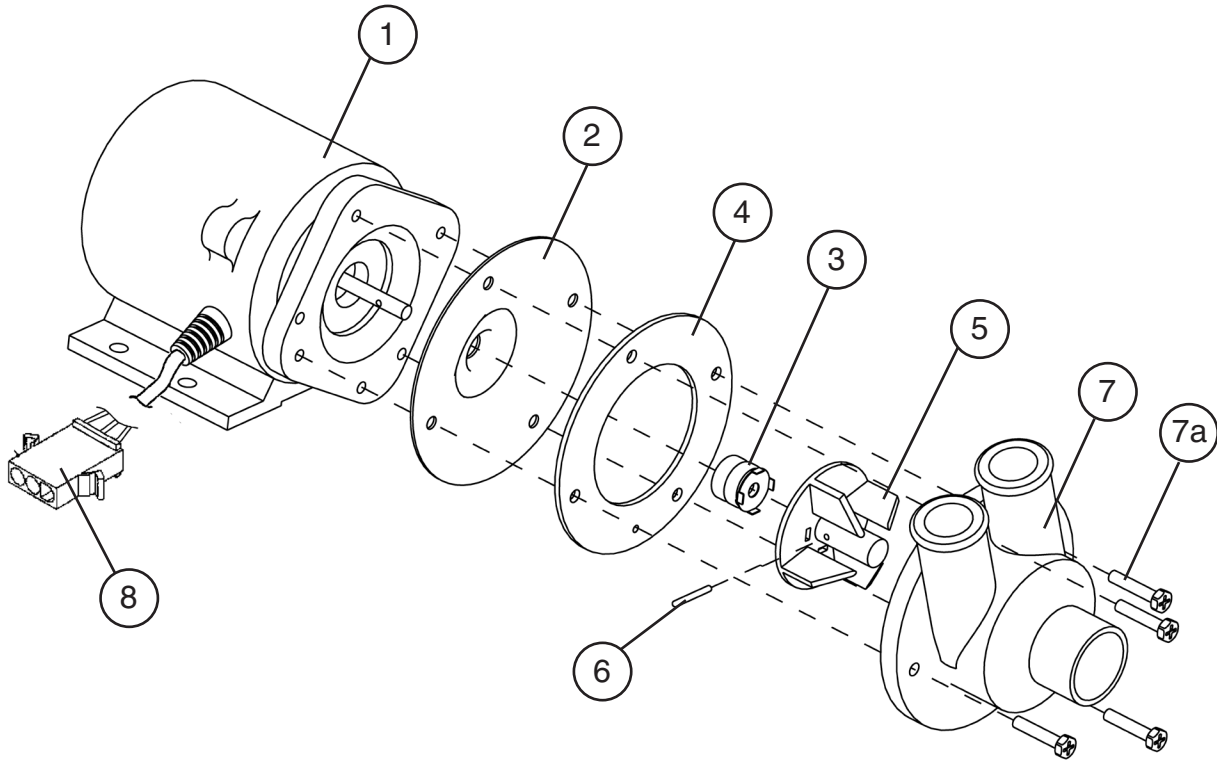
Title: F. Front Panel Assembly Model: KM-600MAH					Required Number										
Index No.	Description	Material or Model Number	Part Number	T-0											
				1	Front Panel (A)	SS	2A2130-03	1							
2	Insulation (A)		4A2507-01	1											
3	Foam Seal	L=640	4A0661L01	1											
4	Foam Seal	L=220	4A0661L01	1											
5	Foam Seal	L=610	4A1163L01	2											
6	Foam Seal	L=160	4A1163L01	1											

**G. Top Panel Assembly**  
**KM-600MAH**  
 T-0



Title: <b>G. Top Panel Assembly</b>		Model: <b>KM-600MAH</b>		Required Number										
Index No.	Description	Material or Model Number	Part Number	T-0										
1	Top Panel	SS	2A2133-01	1										
2	Gasket		427014-04	2										
3	Insulation		438012-01	1										
4	Foam Seal	L=658	4A1163L01	1										

**H. Pump Motor Assembly**  
**KM-600MAH**  
 T-0



Title: H. Pump Motor Assembly		Model: KM-600MAH		Required Number											
Index No.	Description	Material or Model Number	Part Number	T-0											
				1	Pump Motor	APTA9210WD1	2A2758-01	1							
2	Pump Flange		3A2988-01	1											
3	Mechanical Seal		465627-01	1											
4	Pump Gasket		4A2974-01	1											
5	Impeller		433522-01	1											
6	Pin		4A0648-01	1											
7	Pump Housing		211409-01	1											
7a	Screw	4x20, Geomet	4A3871-01	4											
8	Plug Housing	3P 3191-03P	412832-06	1											

## J. Accessories & Packaging

### KM-600MAH

T-0

Title: J. Accessories & Packaging Model: KM-600MAH												
Index No.	Description	Material or Model Number	Part Number	Required Number								
				T-0								
1	Instruction Manual		91A1KQ10B	1								
2	Universal Brace		4A0363-01	2								
2a	Hex Bolt	5x12, SS	7B02-0512	4								
	Packaging		2A3865A02	1								