



# Ice Pro™ DB650 Series

automatic ice bagging and dispensing system

## Features

### Fast, labor saving ice dispense

- store up to 650 lb (295 kg) of ice
- eliminates the need to shovel or scoop ice from bin
- fill 6 to 8 bags per minute
- automatic agitation cycle prevents ice from forming bridges
- push-button actuation automatically dispenses ice at a rate of up to 75 lb (34 kg) per minute

### Fresher ice

- first ice in is first ice out

### Ice compatibility

- dispenses most cube ice up to 1.00" (2.54 cm) and customer preferred Chewblet® ice into most carts and containers

### Durable, user-friendly construction

- bag stand adjusts to fit up to 20 lb (9 kg) ice bags and can be used to fill containers such as Totes™ ice carrier or small ice coolers
- bag stand removes to fit carts or coolers up to 28.00" (71.1 cm) high
- easy-to-use controls with push button or time dispense
- bag opener blows bags open automatically
- corrosion-resistant poly bin
- dispensing components are easily removed for cleaning
- removable, lockable clear window prevents unauthorized access to ice and provides full access for cleaning
- access from front and side for maintenance
- bag holder pins quickly adjust for use with wire-wicket ice bags with 5.00" (12.7 cm) to 10.00" (25.4 cm) holes on center

### Warranty

- 2 years parts and labor
- visit [follettice.com](http://follettice.com) for complete warranty details

### Includes:

- 125 x 8 lb (3.6 kg) ice bags and reorder information
- bag stand
- cleaning brush and bracket

## Accessories

- 8 lb (3.6 kg) ice bags (item# 00116434)
- 20 lb (9 kg) ice bags (item# 00138370)
- Bostitch® P-7 C-ring pliers for closing bags (item# 00137711)
- Staples, aluminum blunt-end C-rings for Bostitch P-7 pliers (item# 00137729)
- Foot pedal (item# 00932517)
- Jug and cooler filling kit (item # 00979013)

Model configurations		
Ice storage capacity	Voltage	Item number
<b>650 lb (295 kg)</b>	220 V/60/1	<b>DB650SA</b>
	230 V/50/1	<b>EDB650SA</b>

Job

Item

Follett Europe Polska Sp. z o.o.  
 Mokry Dwór 26C 83-021 Wiślina, Poland  
 +48 (58) 785-6140 | Fax: +48 (58) 785-6159  
 folletteurope.com

801 Church Lane | Easton, PA 18040, USA  
 1.610.252.7301 | Fax: +1.610.250.0696 | follettice.com

**FOLLETT®**

## Specification

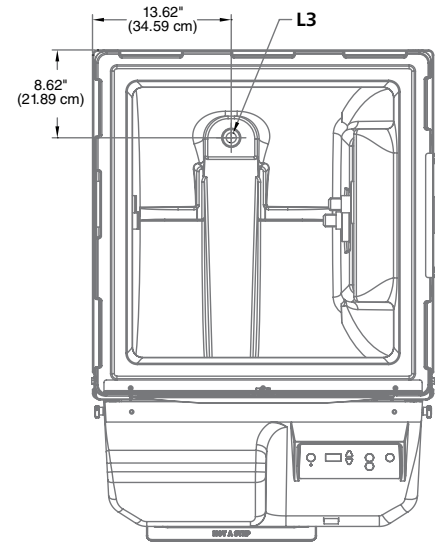
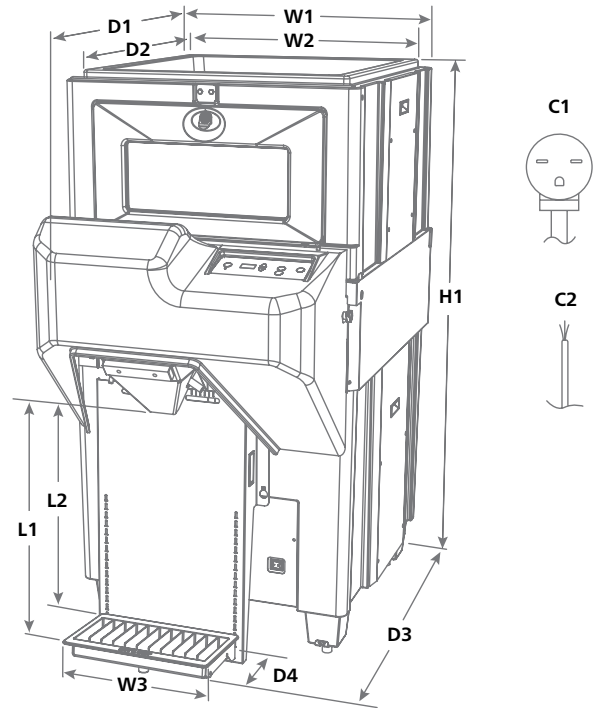
Maximum bin capacity <sup>1</sup>	650 lb (295 kg)
Cubic capacity	20 cu ft (0.57 cu m)
<b>W1</b> Width	33.75" (85.7 cm)
<b>W2</b> Width, bin top	30.38" (77.1 cm)
<b>D1</b> Depth, without bag stand	46.75" (118.7 cm)
<b>D2</b> Depth, bin top	31.25" (79.4 cm)
<b>D3</b> Depth, with bag stand	48.25" (122.6 cm)
<b>H1</b> Height	65.00" (165.1 cm) adjustable
<b>W3</b> Drip tray width	16.75" (42.5 cm)
<b>D4</b> Drip tray depth	10.12" (25.7 cm)
<b>L1</b> Dispense clearance	28.00" (71.1 cm)
<b>L2</b> Bag stand dispense clearance	26.00" (66.0 cm)
Installation clearance	34.25" (87.0 cm) wide door access
Service clearance	12.00" (30.5 cm) right side
<b>C1</b> Electrical <sup>2</sup>	2.5 amps, max. fuse 15 amps. 7' (2.1 m) cord with NEMA 6-15 plug.
220 V/60/1	
<b>C2</b> Electrical <sup>2</sup>	2.4 amps, max. fuse 15 amps. Cord only. Wire in accordance with all local codes.
230 V/50/1	
<b>L3</b> Drain <sup>3</sup>	1.00" FPT
Dispense rate	up to 75 lb (34 kg) per minute
Ice compatibility	non-flake up to 1.00" (2.54 cm) square
Shipping weight	460 lb (205 kg)
NOTES: For indoor use only	

SHORT FORM SPECIFICATION (Choose one): Automatic ice storage and dispensing system to be Follett \_\_\_\_\_ 220 V/60 Hz DB650SA or \_\_\_\_\_ 230/50 Hz EDB650SA with elevated bin and base. Bin to hold up to 650 lb (295 kg) of ice. Dispense rate to be approximately 75 lb (34 kg)/min. Two position ice discharge chute with selector lever allows filling of bags or other containers. Lockable clear inspection window shall have interlock switch to prevent operation if window is removed. Hopper to be constructed of double wall rotationally molded polyethylene insulated with CARB compliant non-HFC foam. Heavy-duty agitation system includes two stainless steel agitators and motors. Dispense auger to be rotationally molded plastic, driven by 1/4 HP motor. Activation of the dispensing function shall be controlled by push-button. Dispenser shall be equipped with holding pins for bags, time dispense, and blower function for automatically opening bags. DB650SA is NSF, UL and cUL listed.

### Notes:

- <sup>1</sup> Computed on cubic volume of bin. Does not reflect voids that can occur due to pyramiding.
  - <sup>2</sup> C1, C2 – within 7' (2.1 m) from right rear corner.
  - <sup>3</sup> Follett recommends installation of a floor drain with grate with all ice storage bins.
- Local food regulations vary. Please check with your local authorities for requirements for packaged ice.

## Dimensional drawing



Bostitch is a registered trademark of Stanley Black and Decker.  
 ICE PRO and TOTES are trademarks of Follett LLC.  
 CHEWBLET and FOLLETT are registered trademarks of Follett LLC, registered in the US.  
 Follett reserves the right to change specifications at any time without obligation. Certifications may vary depending on country of origin.

## Ice Pro DB650 series