



# KMS-830MLJ

## SERENITY SERIES CUBER ICE MACHINE



KMS-830MLJ  
10/26/18  
Item # 13453

**Modular Head Unit**  
W x D x H  
30" x 16 1/2" x 29"

**Remote Unit Dimension**  
SRK-10J  
35 3/4" x 23 1/2" x 22"

**Installation Dimension\***  
SRK-10J  
38" x 29" x 37"

\*Dimensions include legs

**KMS-830MLJ**  
Remote Air-Cooled  
Shown on optional  
Lancer 30" Dispenser



SRK-10J






ISO 9001 · ISO 14001



Item #: \_\_\_\_\_  
Project: \_\_\_\_\_  
Qty: \_\_\_\_\_  
AIA#: \_\_\_\_\_

## Features

- ▶ Individual crescent cube
- ▶ Stainless steel evaporator
- ▶ CycleSaver™ design 

- Up to 885 lbs. of ice production per 24 hours
- Durable stainless steel exterior
- Protected by H-GUARD Plus Antimicrobial Agent 
- EverCheck™ alert system 
- No heat, less noise
- CFC / HFC Free Foam
- R-404A Refrigerant
- Not recommended for side-by-side application
- Remote unit includes both condenser and compressor

### Warranty:

3 Year Parts & Labor on entire machine. 5 Year Parts & Labor on Evaporator. 5 Year Parts on Compressor; air-cooled condenser coil. Valid in United States, Canada, Puerto Rico and U.S. Territories. Contact factory for warranty in other countries.

Shipping: KMS-830MLJ (LxWxH) 35" x 23 1/4" X 35 1/4" Volume: 16.60ft<sup>3</sup>

| Condenser | Model                   | ICE PRODUCTION                                  |           | WATER USAGE                            |  | ELECTRICAL                         |                                       |          |                | Refrigerant Charge Amount | Net / Ship Weight (lbs.) |                                  |
|-----------|-------------------------|---|-----------|--|--|------------------------------------|---------------------------------------|----------|----------------|---------------------------|--------------------------|----------------------------------|
|           |                         | Air / Water Temp Lbs. per 24 hours<br>70°/ 50°F | 90°/ 70°F | Potable Gal. per 100 lbs.<br>90°/ 70°F | Condenser Gal. per 100 lbs.<br>90°/ 70°F | kWh Used per 100 lbs.<br>90°/ 70°F | Min. Circuit Amp. - Max. Fuse/Breaker | Amperage | Voltage        |                           |                          | Circuit Wires (including ground) |
| Remote    | KMS-830MLJ with SRK-10J | 885   | 810       | 17.5                                   | N/A                                      | 4.60                               | 20A                                   | 10.6A    | 208-230V/60/1* | See remote condenser      | 7.1 oz.                  | 112 / 137                        |

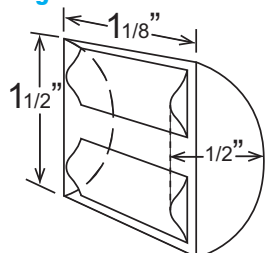
\* Voltage supply for KMS Ice Maker is supplied from the SRK Remote Condenser

| Condenser | Model   | LINE SETS - Brazing Required |                      |                      | TEMP RANGE            | ELECTRICAL    |                                      |          |               |                                  |                        |                           |                          |
|-----------|---------|------------------------------|----------------------|----------------------|-----------------------|---------------|--------------------------------------|----------|---------------|----------------------------------|------------------------|---------------------------|--------------------------|
|           |         | 25' Length                   | 35' Length           | 55' Length           | Ambient (Outdoor Use) | Voltage Range | Min. Circuit Amp. - Max Fuse/Breaker | Amperage | Voltage       | Circuit Wires (including ground) | Heat Rejection BTU/hr. | Refrigerant Charge Amount | Net / Ship Weight (lbs.) |
| Remote    | SRK-10J | HS-0250 <sup>†</sup>         | HS-0251 <sup>†</sup> | HS-0252 <sup>†</sup> | -20° - 122°F          | 187-253VAC    | 20A                                  | 11.9A    | 208-230V/60/1 | 4                                | 14,700                 | 13 lb. 10.7 oz.           | 196 / 226                |

† Line sets require refrigerant.

Power cord not included. Must be hard-wired at site.

### KM Edge Cube Dimensions<sup>§</sup>



§ approximate size in inches, image not to scale

### Operating Limits- KMS-830MLJ

- Ambient Temp Range 45 - 100°F
- Water Temp Range 45 - 90°F
- Water Pressure 10 - 113 PSIG
- Voltage Range 187-253V<sup>‡</sup>

<sup>‡</sup> Voltage supply for KMS Ice Maker is supplied from the SRK Remote Condenser

### Service- KMS-830MLJ

- Allow 6" (15 cm) clearance at rear, sides, and top for proper air circulation and ease of maintenance and/or service should they be required.
- Panels easily removed and all components accessible for service.

### Plumbing- KMS-830MLJ

- Icemaker Water Supply Line: Minimum 1/4" Nominal ID Copper Water Tubing or Equivalent
- Icemaker Drain Line: Minimum 3/4" Nominal ID Hard Pipe or Equivalent

### Service- SRK-10J

- Allow 24" (61 cm) clearance in both front and rear for proper air circulation and ease of maintenance/service.
- For best performance the Remote Condenser should not be more than 33 feet above the icemaker or no more than 10 feet below it. These distances are measure from fitting to fitting.



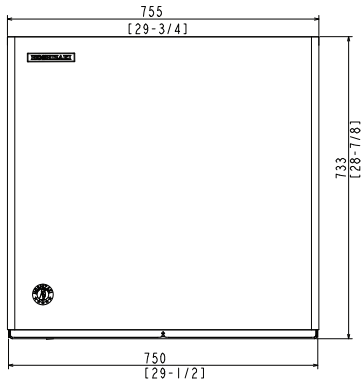
# KMS-830MLJ

## SERENITY SERIES CUBER ICE MACHINE

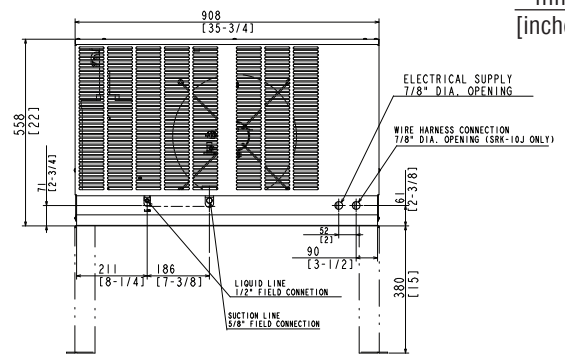


KMS-830MLJ  
10/26/18  
Item # 13453

FRONT VIEW



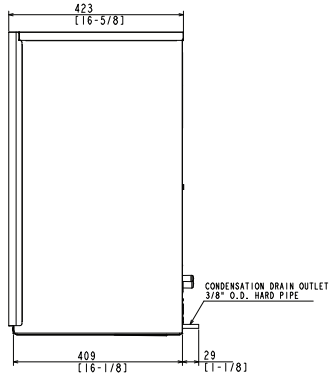
REMOTE AIR-COOLED



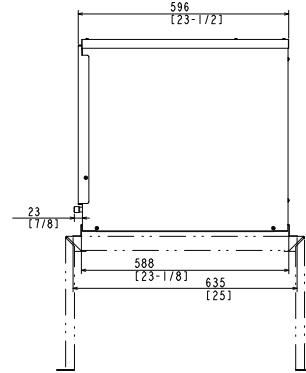
SRK-10J REMOTE CONDENSER

SIDE VIEW

Front →

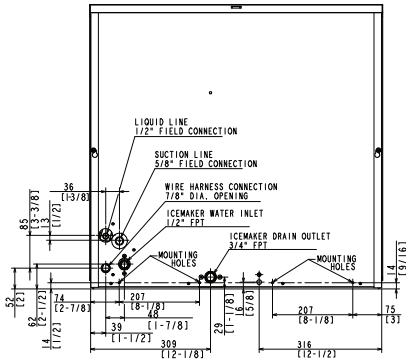


REMOTE AIR-COOLED



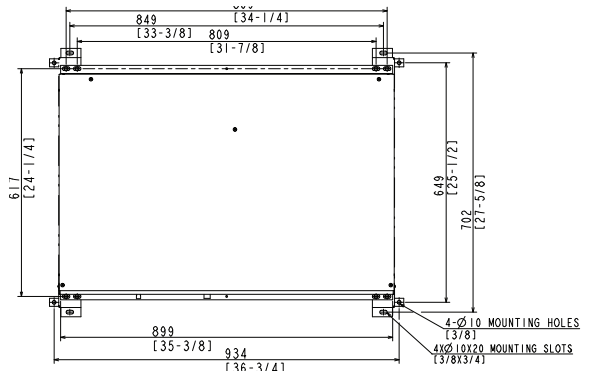
SRK-10J REMOTE CONDENSER

REAR VIEW



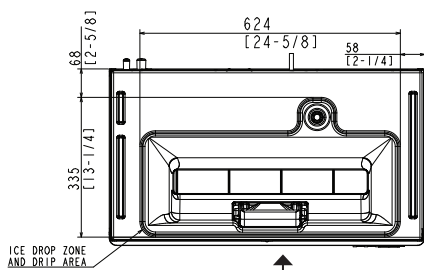
REMOTE AIR-COOLED

TOP VIEW

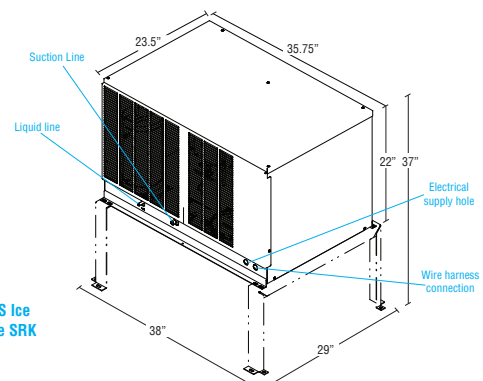


**SRK-10J Remote Condenser (Sold Separately)**  
**35 3/4" x 23 1/2" x 37" (W x D x H with legs)**  
 For Use with KMS-830MLJ

BOTTOM VIEW



REMOTE AIR-COOLED



**Brazed Line Sets**  
(Sold Separately)

- 25' HS-0250
- 35' HS-0251
- 55' HS-0252

Voltage supply for the KMS Ice Maker is supplied from the SRK Remote Condenser.